

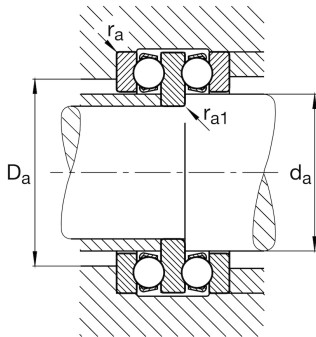
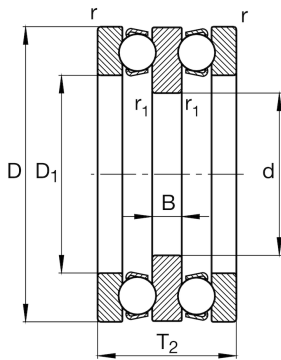
**FAG**★ **52209**

Axial deep groove ball bearing

Schaeffler ID:  
0190069420000Axial deep groove ball bearing 522, double  
direction, steel sheet metal cage

★ Preferred product

## Technical information



## Temperature range

$T_{\min}$	-30 °C	Operating temperature min.
$T_{\max}$	150 °C	Operating temperature max.
	0,57 kg	Weight

## Main Dimensions &amp; Performance Data

d	35 mm	Bore diameter
D	73 mm	Outside diameter
$T_2$	37 mm	Height
$C_a$	39.000 N	Basic dynamic load rating, axial
$C_{0a}$	80.000 N	Basic static load rating, axial
$C_{ua}$	3.650 N	Fatigue load limit, axial
$n_G$	5.500 1/min	Limiting speed
$n_{gr}$	6.500 1/min	Reference speed

## Dimensions

$D_1$	47 mm	Bore diameter housing washer
B	9 mm	Height shaft washer
$r_{\min}$	1 mm	Minimum chamfer dimension
$r_{1\min}$	0,6 mm	Minimum chamfer dimension

## Mounting dimensions

$d_{a\max}$	45 mm	Maximum mounting dimension shaft
$D_{a\max}$	56 mm	Maximum diameter of housing shoulder
$r_{a\max}$	1 mm	Maximum recess radius
$r_{a1\max}$	0,6 mm	Maximum recess radius

## Additional information

A	0,043	Minimum load factor
---	-------	---------------------