

FAG

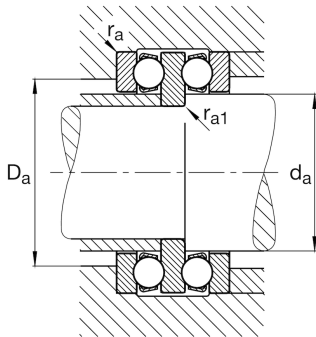
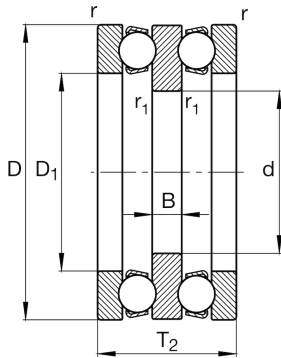
★ 52308

Axial deep groove ball bearing

Schaeffler ID:
0167156320000Axial deep groove ball bearing 523, double
direction, steel sheet metal cage

★ Preferred product

Technical information



Temperature range

T_{min}	-30 °C	Operating temperature min.
T_{max}	150 °C	Operating temperature max.
	1,06 kg	Weight

Main Dimensions & Performance Data

d	30 mm	Bore diameter
D	78 mm	Outside diameter
T_2	49 mm	Height
C_a	61.000 N	Basic dynamic load rating, axial
C_{0a}	112.000 N	Basic static load rating, axial
C_{ua}	5.100 N	Fatigue load limit, axial
n_G	4.250 1/min	Limiting speed
n_{gr}	7.200 1/min	Reference speed

Dimensions

D_1	42 mm	Bore diameter housing washer
B	12 mm	Height shaft washer
r_{min}	1 mm	Minimum chamfer dimension
$r_{1 min}$	0,6 mm	Minimum chamfer dimension

Mounting dimensions

$d_{a max}$	40 mm	Maximum mounting dimension shaft
$D_{a max}$	55 mm	Maximum diameter of housing shoulder
$r_{a max}$	1 mm	Maximum recess radius
$r_{a1 max}$	0,6 mm	Maximum recess radius

Additional information

A	0,081	Minimum load factor
---	-------	---------------------