

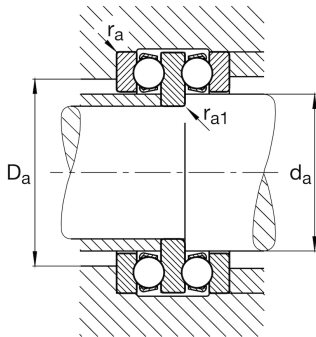
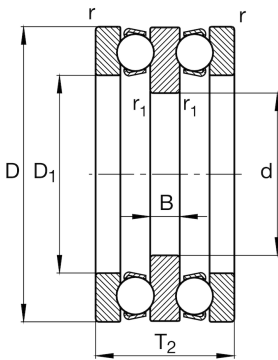
**FAG**★ **52314**

Axial deep groove ball bearing

Schaeffler ID:  
0190070350000Axial deep groove ball bearing 523, double  
direction, steel sheet metal cage

★ Preferred product

## Technical information



## Temperature range

$T_{min}$	-30 °C	Operating temperature min.
$T_{max}$	150 °C	Operating temperature max.
	3,943 kg	Weight

## Main Dimensions &amp; Performance Data

d	55 mm	Bore diameter
D	125 mm	Outside diameter
$T_2$	72 mm	Height
$C_a$	134.000 N	Basic dynamic load rating, axial
$C_{0a}$	290.000 N	Basic static load rating, axial
$C_{ua}$	13.300 N	Fatigue load limit, axial
$n_G$	2.750 1/min	Limiting speed
$n_{gr}$	4.800 1/min	Reference speed

## Dimensions

$D_1$	72 mm	Bore diameter housing washer
B	16 mm	Height shaft washer
$r_{min}$	1,1 mm	Minimum chamfer dimension
$r_{1 min}$	1 mm	Minimum chamfer dimension

## Mounting dimensions

$d_{a max}$	70 mm	Maximum mounting dimension shaft
$D_{a max}$	92 mm	Maximum diameter of housing shoulder
$r_{a max}$	1 mm	Maximum recess radius
$r_{a1 max}$	1 mm	Maximum recess radius

## Additional information

A	0,51	Minimum load factor
---	------	---------------------