

FAG

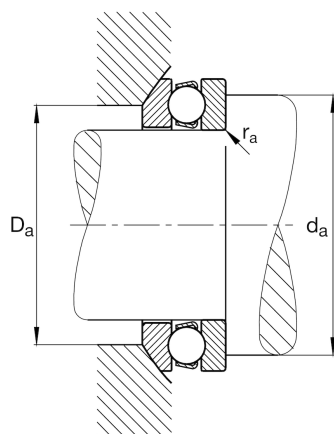
★ 53214

Axial deep groove ball bearing

Schaeffler ID:
0167158450000Axial deep groove ball bearing 532, single
direction, with spherical housing washer,
steel sheet metal cage

★ Preferred product

Technical information



Temperature range

T_{\min}	-30 °C	Operating temperature min.
T_{\max}	150 °C	Operating temperature max.
	0,78 kg	Weight

Main Dimensions & Performance Data

d	70 mm	Bore diameter
D	105 mm	Outside diameter
T	28,8 mm	Height
C_a	66.000 N	Basic dynamic load rating, axial
C_{0a}	159.000 N	Basic static load rating, axial
C_{ua}	7.200 N	Fatigue load limit, axial
n_G	4.000 1/min	Limiting speed
n_{gr}	4.550 1/min	Reference speed

Dimensions

r_{\min}	1 mm	Minimum chamfer dimension
D_1	72 mm	Bore diameter housing washer
d_1	105 mm	Lip diameter shaft washer
R	80 mm	Radius spherical housing washer
A	38 mm	Distance of the center point
T_1	32 mm	Height with seat washer

Mounting dimensions

$d_{a \min}$	91 mm	Minimum diameter shaft shoulder
$D_{a \max}$	88 mm	Maximum diameter of housing shoulder
$r_{a \max}$	1 mm	Maximum recess radius

Additional information

A	0,16	Minimum load factor
	U214	Seat washer