

FAG

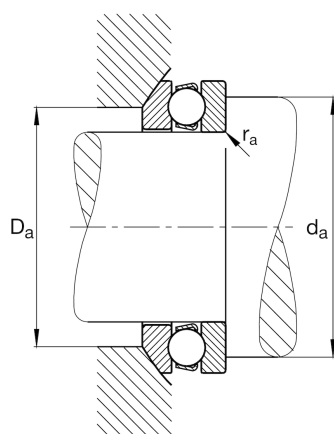
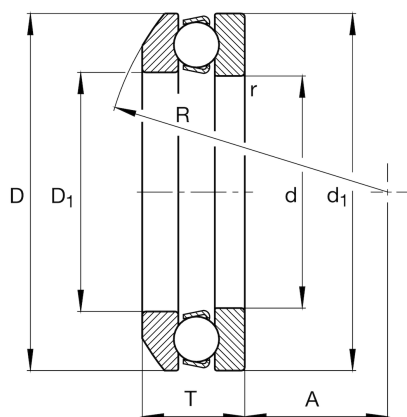
53228

Axial deep groove ball bearing

Schaeffler ID:
0190704030000

Axial deep groove ball bearing 532, single direction, with spherical housing washer, steel sheet metal cage

Technical information

**Temperature range**

T_{min}	-30 °C	Operating temperature min.
T_{max}	150 °C	Operating temperature max.
	4,241 kg	Weight

Main Dimensions & Performance Data

d	140 mm	Bore diameter
D	200 mm	Outside diameter
T	48,6 mm	Height
C_a	191.000 N	Basic dynamic load rating, axial
C_{0a}	570.000 N	Basic static load rating, axial
C_{ua}	19.800 N	Fatigue load limit, axial
n_G	2.110 1/min	Limiting speed
n_{gr}	2.700 1/min	Reference speed

Dimensions

r_{min}	1,5 mm	Minimum chamfer dimension
D_1	143 mm	Bore diameter housing washer
d_1	197 mm	Lip diameter shaft washer
R	160 mm	Radius spherical housing washer
A	87 mm	Distance of the center point
T_1	55 mm	Height with seat washer

Mounting dimensions

$d_{a min}$	176 mm	Minimum diameter shaft shoulder
$D_{a max}$	170 mm	Maximum diameter of housing shoulder
$r_{a max}$	1,5 mm	Maximum recess radius

Additional information

A	1,9	Minimum load factor
	U228	Seat washer