

FAG

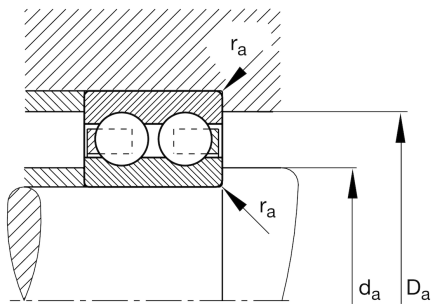
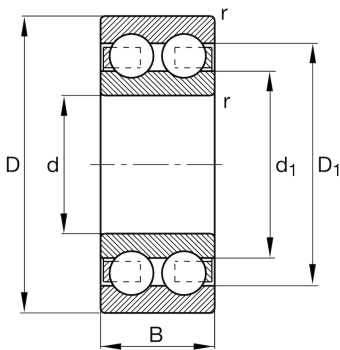
★ 4217-B-TVH

Deep groove ball bearing

Schaeffler ID:
0190585430000Deep groove ball bearing 42...-B-TVH,
double row, plastic cage

★ Preferred product

Technical information



Temperature range

T_{min}	-20 °C	Operating temperature min.
T_{max}	120 °C	Operating temperature max.
	2,5 kg	Weight

Main Dimensions & Performance Data

d	85 mm	Bore diameter
D	150 mm	Outside diameter
B	36 mm	Width
C_r	94.000 N	Basic dynamic load rating, radial
C_{0r}	106.000 N	Basic static load rating, radial
C_{ur}	5.100 N	Fatigue load limit, radial
n_G	3.500 1/min	Limiting speed
n_{gr}	4.100 1/min	Reference speed

Dimensions

r_{min}	2 mm	Minimum chamfer dimension
D_1	132,8 mm	Shoulder diameter outer ring
d_1	112,7 mm	Shoulder diameter inner ring

Mounting dimensions

$d_{a min}$	96 mm	Minimum diameter shaft shoulder
$D_{a max}$	139 mm	Maximum diameter of housing shoulder
$r_{a max}$	2 mm	Maximum fillet radius

Calculation factors

f_0	15,8	Calculation factor
-------	------	--------------------