

FAG

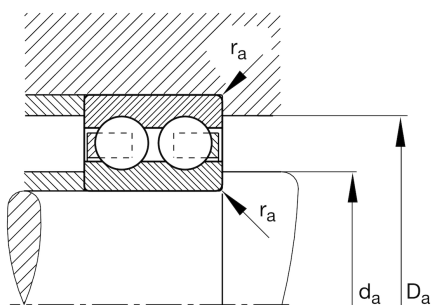
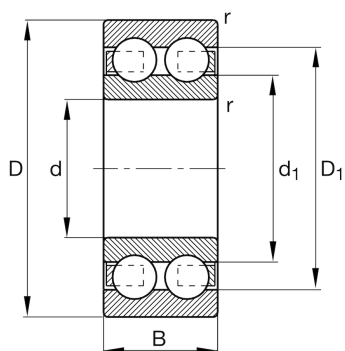
★ 4303-BB-TVH

Deep groove ball bearing

Schaeffler ID:
0219415300000Deep groove ball bearing 43...BB-TVH,
double row, plastic cage

★ Preferred product

Technical information



Temperature range

T_{\min}	-20 °C	Operating temperature min.
T_{\max}	120 °C	Operating temperature max.
	0,178 kg	Weight

Main Dimensions & Performance Data

d	17 mm	Bore diameter
D	47 mm	Outside diameter
B	19 mm	Width
C_r	20.900 N	Basic dynamic load rating, radial
C_{0r}	13.200 N	Basic static load rating, radial
C_{ur}	690 N	Fatigue load limit, radial
n_G	12.500 1/min	Limiting speed
n_{gr}	9.800 1/min	Reference speed

Dimensions

r_{\min}	1 mm	Minimum chamfer dimension
D_1	38,5 mm	Shoulder diameter outer ring
d_1	28,4 mm	Shoulder diameter inner ring

Mounting dimensions

$d_{a \min}$	22,6 mm	Minimum diameter shaft shoulder
$D_{a \max}$	41,4 mm	Maximum diameter of housing shoulder
$r_{a \max}$	1 mm	Maximum fillet radius

Calculation factors

f_0	13,1	Calculation factor
-------	------	--------------------