

FAG

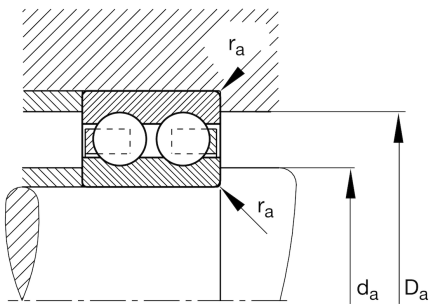
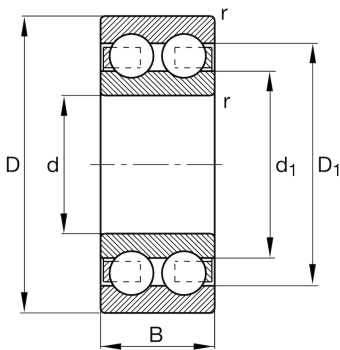
★ 4307-BB-TVH

Deep groove ball bearing

Schaeffler ID:
0219434350000Deep groove ball bearing 43...BB-TVH,
double row, plastic cage

★ Preferred product

Technical information



Temperature range

T_{\min}	-20 °C	Operating temperature min.
T_{\max}	120 °C	Operating temperature max.
	0,59 kg	Weight

Main Dimensions & Performance Data

d	35 mm	Bore diameter
D	80 mm	Outside diameter
B	31 mm	Width
C_r	58.000 N	Basic dynamic load rating, radial
C_{0r}	40.500 N	Basic static load rating, radial
C_{ur}	2.120 N	Fatigue load limit, radial
n_G	6.900 1/min	Limiting speed
n_{gr}	6.900 1/min	Reference speed

Dimensions

r_{\min}	1,5 mm	Minimum chamfer dimension
D_1	68 mm	Shoulder diameter outer ring
d_1	48,2 mm	Shoulder diameter inner ring

Mounting dimensions

$d_{a \min}$	44 mm	Minimum diameter shaft shoulder
$D_{a \max}$	71 mm	Maximum diameter of housing shoulder
$r_{a \max}$	1,5 mm	Maximum fillet radius

Calculation factors

f_0	12,9	Calculation factor
-------	------	--------------------