

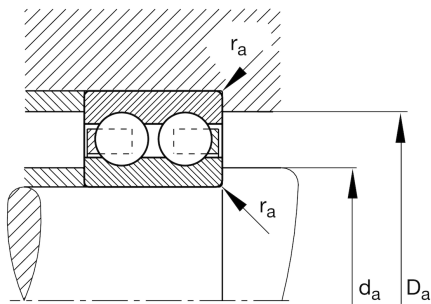
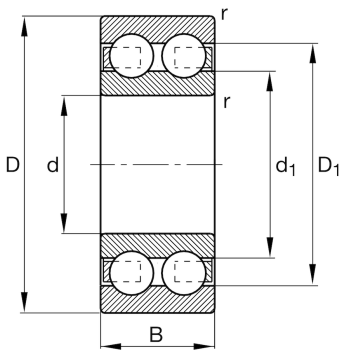
FAG★ **4308-BB-TVH**

Deep groove ball bearing

Schaeffler ID:
0219434430000Deep groove ball bearing 43...BB-TVH,
double row, plastic cage

★ Preferred product

Technical information



Temperature range

T_{\min}	-20 °C	Operating temperature min.
T_{\max}	120 °C	Operating temperature max.
	0,892 kg	Weight

Main Dimensions & Performance Data

d	40 mm	Bore diameter
D	90 mm	Outside diameter
B	33 mm	Width
C_r	67.000 N	Basic dynamic load rating, radial
C_{0r}	48.000 N	Basic static load rating, radial
C_{ur}	2.500 N	Fatigue load limit, radial
n_G	6.100 1/min	Limiting speed
n_{gr}	6.300 1/min	Reference speed

Dimensions

r_{\min}	1,5 mm	Minimum chamfer dimension
D_1	75,6 mm	Shoulder diameter outer ring
d_1	54,5 mm	Shoulder diameter inner ring

Mounting dimensions

$d_{a \min}$	49 mm	Minimum diameter shaft shoulder
$D_{a \max}$	81 mm	Maximum diameter of housing shoulder
$r_{a \max}$	1,5 mm	Maximum fillet radius

Calculation factors

f_0	13,2	Calculation factor
-------	------	--------------------