

FAG

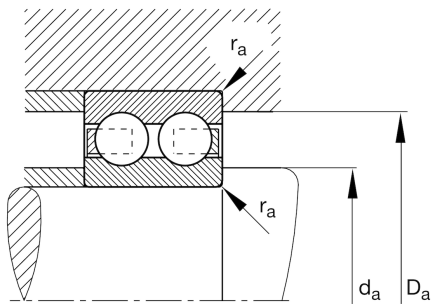
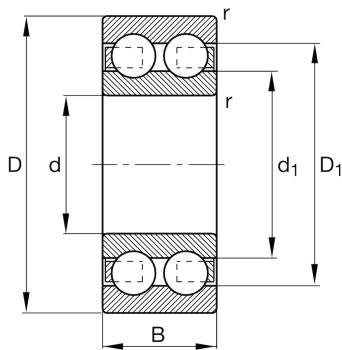
★ 4309-B-TVH

Deep groove ball bearing

Schaeffler ID:
0167144900000Deep groove ball bearing 43...-B-TVH,
double row, plastic cage

★ Preferred product

Technical information



Temperature range

T_{\min}	-20 °C	Operating temperature min.
T_{\max}	120 °C	Operating temperature max.
	1,244 kg	Weight

Main Dimensions & Performance Data

d	45 mm	Bore diameter
D	100 mm	Outside diameter
B	36 mm	Width
C_r	75.000 N	Basic dynamic load rating, radial
C_{0r}	60.000 N	Basic static load rating, radial
C_{ur}	3.700 N	Fatigue load limit, radial
n_G	5.400 1/min	Limiting speed
n_{gr}	5.300 1/min	Reference speed

Dimensions

r_{\min}	1,5 mm	Minimum chamfer dimension
D_1	86,8 mm	Shoulder diameter outer ring
d_1	66,7 mm	Shoulder diameter inner ring

Mounting dimensions

$d_{a \min}$	54 mm	Minimum diameter shaft shoulder
$D_{a \max}$	91 mm	Maximum diameter of housing shoulder
$r_{a \max}$	1,5 mm	Maximum fillet radius

Calculation factors

f_0	13,9	Calculation factor
-------	------	--------------------