

FAG

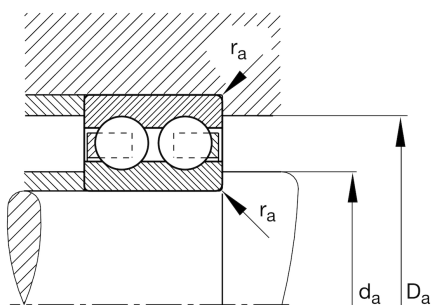
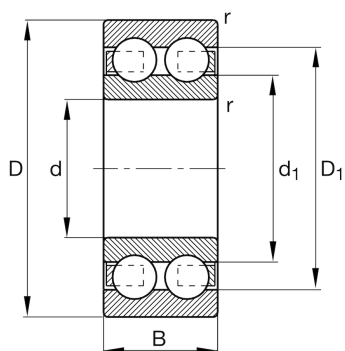
## ★ 4310-B-TVH

Deep groove ball bearing

Schaeffler ID:  
0167145040000Deep groove ball bearing 43...-B-TVH,  
double row, plastic cage

★ Preferred product

## Technical information



## Temperature range

$T_{min}$	-20 °C	Operating temperature min.
$T_{max}$	120 °C	Operating temperature max.
	1,64 kg	Weight

## Main Dimensions &amp; Performance Data

d	50 mm	Bore diameter
D	110 mm	Outside diameter
B	40 mm	Width
$C_r$	92.000 N	Basic dynamic load rating, radial
$C_{0r}$	76.000 N	Basic static load rating, radial
$C_{ur}$	4.600 N	Fatigue load limit, radial
$n_G$	4.800 1/min	Limiting speed
$n_{gr}$	5.000 1/min	Reference speed

## Dimensions

$r_{min}$	2 mm	Minimum chamfer dimension
$D_1$	96,2 mm	Shoulder diameter outer ring
$d_1$	73,6 mm	Shoulder diameter inner ring

## Mounting dimensions

$d_{a min}$	61 mm	Minimum diameter shaft shoulder
$D_{a max}$	99 mm	Maximum diameter of housing shoulder
$r_{a max}$	2 mm	Maximum fillet radius

## Calculation factors

$f_0$	13,8	Calculation factor
-------	------	--------------------