



FAG

★ 6001-C-2Z

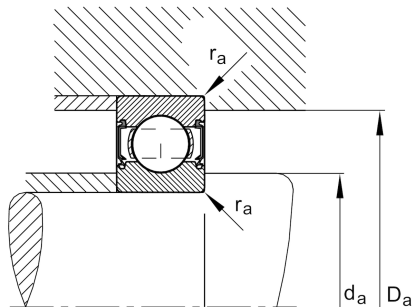
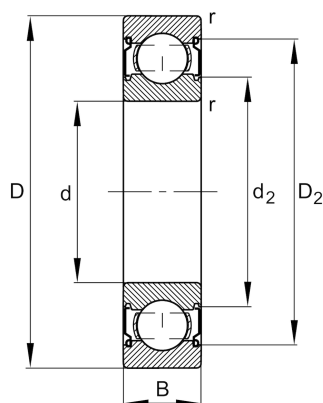
Deep groove ball bearing

Schaeffler ID:
0592077360000

Deep groove ball bearing 60...-C-2Z, single row, Generation C, shields, steel sheet metal cage

★ Preferred product

Technical information



Temperature range

T_{\min}	-20 °C	Operating temperature min.
T_{\max}	120 °C	Operating temperature max.
	0,021 kg	Weight

Main Dimensions & Performance Data

d	12 mm	Bore diameter
D	28 mm	Outside diameter
B	8 mm	Width
C_r	5.900 N	Basic dynamic load rating, radial
C_{0r}	2.370 N	Basic static load rating, radial
C_{ur}	164 N	Fatigue load limit, radial
n_G	36.000 1/min	Limiting speed
n_{gr}	26.000 1/min	Reference speed

Dimensions

r_{\min}	0,3 mm	Minimum chamfer dimension
D_2	25,1 mm	Caliber diameter outer ring
d_2	15,7 mm	Caliber diameter inner ring

Mounting dimensions

$d_{a\min}$	14 mm	Minimum diameter shaft shoulder
$D_{a\max}$	26 mm	Maximum diameter of housing shoulder
$r_{a\max}$	0,3 mm	Maximum fillet radius

Calculation factors

f_0	13,1	Calculation factor
-------	------	--------------------