

FAG

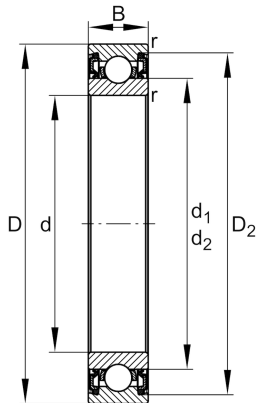
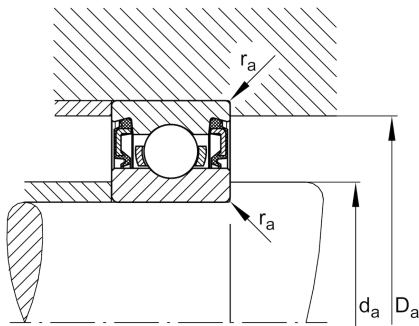
## ★ 61809-2RZ-Y

Deep groove ball bearing

Schaeffler ID:  
0787845140000Deep groove ball bearing 618...-2RZ-Y,  
single row, shields, brass sheet metal cage

★ Preferred product

## Technical information



## Temperature range

$T_{\min}$	-20 °C	Operating temperature min.
$T_{\max}$	110 °C	Operating temperature max.
	0,039 kg	Weight

## Main Dimensions &amp; Performance Data

d	45 mm	Bore diameter
D	58 mm	Outside diameter
B	7 mm	Width
$C_r$	7.000 N	Basic dynamic load rating, radial
$C_{0r}$	5.900 N	Basic static load rating, radial
$C_{ur}$	400 N	Fatigue load limit, radial
$n_G$	14.300 1/min	Limiting speed
$n_{gr}$	7.300 1/min	Reference speed

## Dimensions

$r_{\min}$	0,3 mm	Minimum chamfer dimension
$D_2$	55,4 mm	Caliber diameter outer ring
$d_1$	49,1 mm	Shoulder diameter inner ring

## Mounting dimensions

$d_{a\min}$	47 mm	Minimum diameter shaft shoulder
$D_{a\max}$	56 mm	Maximum diameter of housing shoulder
$r_{a\max}$	0,3 mm	Maximum fillet radius

## Calculation factors

$f_0$	16,3	Calculation factor
-------	------	--------------------