

FAG

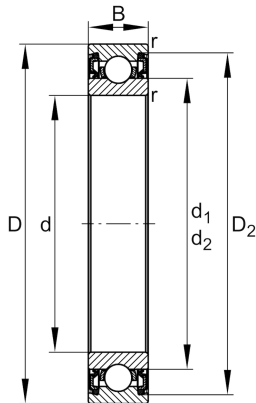
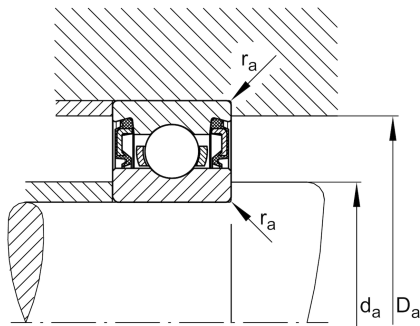
★ 61810-2RZ-Y

Deep groove ball bearing

Schaeffler ID:
0789167120000Deep groove ball bearing 618...-2RZ-Y,
single row, shields, brass sheet metal cage

★ Preferred product

Technical information



Temperature range

T_{\min}	-20 °C	Operating temperature min.
T_{\max}	110 °C	Operating temperature max.
	0,052 kg	Weight

Main Dimensions & Performance Data

d	50 mm	Bore diameter
D	65 mm	Outside diameter
B	7 mm	Width
C_r	7.200 N	Basic dynamic load rating, radial
C_{0r}	6.300 N	Basic static load rating, radial
C_{ur}	440 N	Fatigue load limit, radial
n_G	12.900 1/min	Limiting speed
n_{gr}	6.400 1/min	Reference speed

Dimensions

r_{\min}	0,3 mm	Minimum chamfer dimension
D_2	61,8 mm	Caliber diameter outer ring
d_1	55,1 mm	Shoulder diameter inner ring

Mounting dimensions

$d_{a\min}$	52 mm	Minimum diameter shaft shoulder
$D_{a\max}$	63 mm	Maximum diameter of housing shoulder
$r_{a\max}$	0,3 mm	Maximum fillet radius

Calculation factors

f_0	16	Calculation factor
-------	----	--------------------