

FAG

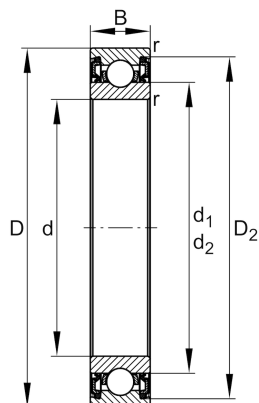
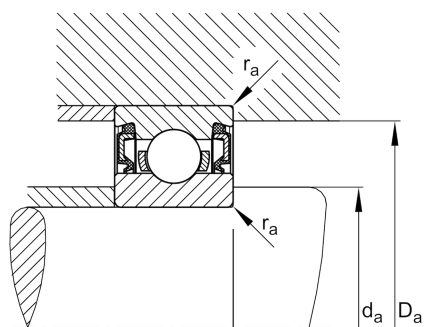
★ 61812-2RZ-Y

Deep groove ball bearing

Schaeffler ID:
0797522840000Deep groove ball bearing 618...-2RZ-Y,
single row, shields, brass sheet metal cage

★ Preferred product

Technical information



Temperature range

T_{\min}	-20 °C	Operating temperature min.
T_{\max}	110 °C	Operating temperature max.
	0,105 kg	Weight

Main Dimensions & Performance Data

d	60 mm	Bore diameter
D	78 mm	Outside diameter
B	10 mm	Width
C_r	12.600 N	Basic dynamic load rating, radial
C_{0r}	11.100 N	Basic static load rating, radial
C_{ur}	710 N	Fatigue load limit, radial
n_G	10.400 1/min	Limiting speed
n_{gr}	6.300 1/min	Reference speed

Dimensions

r_{\min}	0,3 mm	Minimum chamfer dimension
D_2	74,5 mm	Caliber diameter outer ring
d_1	65,6 mm	Shoulder diameter inner ring

Mounting dimensions

$d_{a\min}$	62 mm	Minimum diameter shaft shoulder
$D_{a\max}$	76 mm	Maximum diameter of housing shoulder
$r_{a\max}$	0,3 mm	Maximum fillet radius

Calculation factors

f_0	16,3	Calculation factor
-------	------	--------------------