



FAG

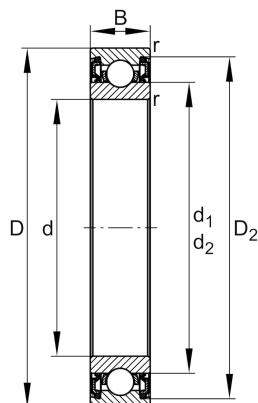
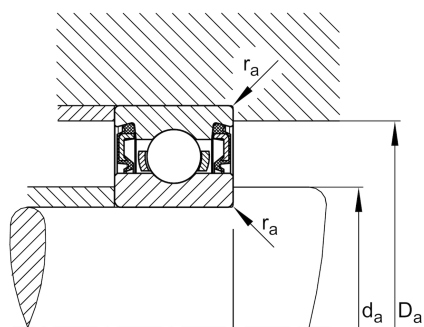
## ★ 61816-2RZ-Y

Deep groove ball bearing

Schaeffler ID:  
0807194220000Deep groove ball bearing 618...-2RZ-Y,  
single row, shields, brass sheet metal cage

★ Preferred product

## Technical information



## Temperature range

$T_{\min}$	-20 °C	Operating temperature min.
$T_{\max}$	110 °C	Operating temperature max.
	0,002 kg	Weight

## Main Dimensions &amp; Performance Data

d	80 mm	Bore diameter
D	100 mm	Outside diameter
B	10 mm	Width
$C_r$	13.800 N	Basic dynamic load rating, radial
$C_{0r}$	13.800 N	Basic static load rating, radial
$C_{ur}$	930 N	Fatigue load limit, radial
$n_G$	8.000 1/min	Limiting speed
$n_{gr}$	4.600 1/min	Reference speed

## Dimensions

$r_{\min}$	0,6 mm	Minimum chamfer dimension
$D_2$	95,5 mm	Caliber diameter outer ring
$d_1$	86,6 mm	Shoulder diameter inner ring

## Mounting dimensions

$d_{a\min}$	83,2 mm	Minimum diameter shaft shoulder
$D_{a\max}$	96,8 mm	Maximum diameter of housing shoulder
$r_{a\max}$	0,6 mm	Maximum fillet radius

## Calculation factors

$f_0$	16	Calculation factor
-------	----	--------------------