



FAG

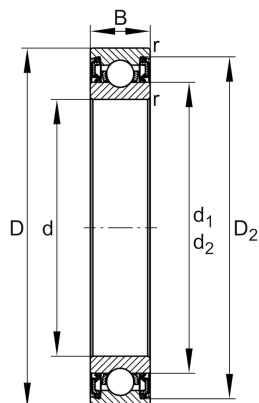
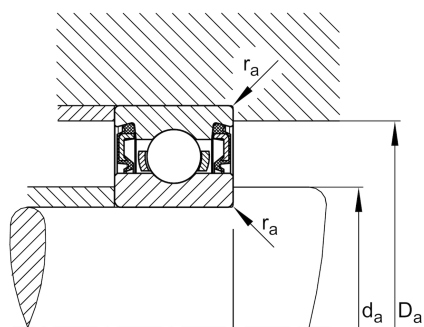
★ 61814-2RZ-Y

Deep groove ball bearing

Schaeffler ID:
0797294600000Deep groove ball bearing 618...-2RZ-Y,
single row, shields, brass sheet metal cage

★ Preferred product

Technical information



Temperature range

T_{\min}	-20 °C	Operating temperature min.
T_{\max}	110 °C	Operating temperature max.
	0,14 kg	Weight

Main Dimensions & Performance Data

d	70 mm	Bore diameter
D	90 mm	Outside diameter
B	10 mm	Width
C_r	13.200 N	Basic dynamic load rating, radial
C_{0r}	12.400 N	Basic static load rating, radial
C_{ur}	820 N	Fatigue load limit, radial
n_G	9.000 1/min	Limiting speed
n_{gr}	5.300 1/min	Reference speed

Dimensions

r_{\min}	0,6 mm	Minimum chamfer dimension
D_2	85,5 mm	Caliber diameter outer ring
d_1	76,6 mm	Shoulder diameter inner ring

Mounting dimensions

$d_{a\min}$	73,2 mm	Minimum diameter shaft shoulder
$D_{a\max}$	86,8 mm	Maximum diameter of housing shoulder
$r_{a\max}$	0,6 mm	Maximum fillet radius

Calculation factors

f_0	16,1	Calculation factor
-------	------	--------------------