

FAG

★ 61909-2RZ

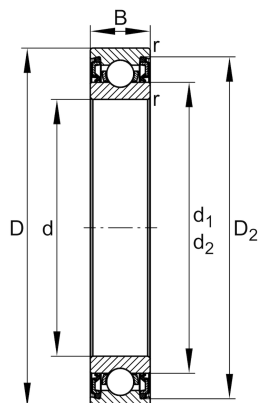
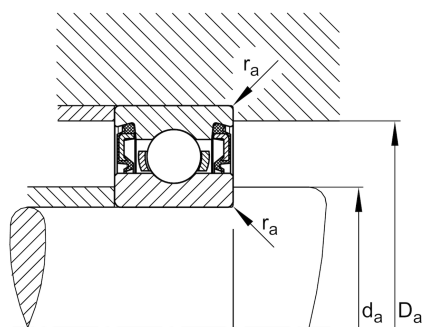
Deep groove ball bearing

Schaeffler ID:
0797391720000

Deep groove ball bearing 619..-2RZ, single row, shields, steel sheet metal cage

★ Preferred product

Technical information



Temperature range

T_{\min}	-20 °C	Operating temperature min.
T_{\max}	110 °C	Operating temperature max.
	0,13 kg	Weight

Main Dimensions & Performance Data

d	45 mm	Bore diameter
D	68 mm	Outside diameter
B	12 mm	Width
C_r	15.000 N	Basic dynamic load rating, radial
C_{0r}	10.900 N	Basic static load rating, radial
C_{ur}	650 N	Fatigue load limit, radial
n_G	12.200 1/min	Limiting speed
n_{gr}	8.800 1/min	Reference speed

Dimensions

r_{\min}	0,6 mm	Minimum chamfer dimension
D_2	62,1 mm	Caliber diameter outer ring
d_1	52,4 mm	Shoulder diameter inner ring

Mounting dimensions

$d_{a\min}$	48,2 mm	Minimum diameter shaft shoulder
$D_{a\max}$	64,8 mm	Maximum diameter of housing shoulder
$r_{a\max}$	0,6 mm	Maximum fillet radius

Calculation factors

f_0	16	Calculation factor
-------	----	--------------------