

FAG

★ 61908-2RZ

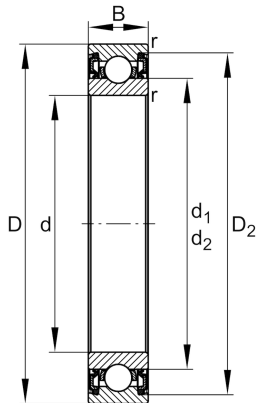
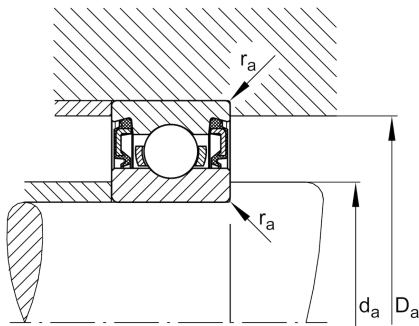
Deep groove ball bearing

Schaeffler ID:
0797311800000

Deep groove ball bearing 619...-2RZ, single row, shields, steel sheet metal cage

★ Preferred product

Technical information



Temperature range

T_{\min}	-30 °C	Operating temperature min.
T_{\max}	120 °C	Operating temperature max.
	0,11 kg	Weight

Main Dimensions & Performance Data

d	40 mm	Bore diameter
D	62 mm	Outside diameter
B	12 mm	Width
C_r	14.500 N	Basic dynamic load rating, radial
C_{0r}	9.900 N	Basic static load rating, radial
C_{ur}	590 N	Fatigue load limit, radial
n_G	15.800 1/min	Limiting speed
n_{gr}	10.000 1/min	Reference speed

Dimensions

r_{\min}	0,6 mm	Minimum chamfer dimension
D_2	57,3 mm	Caliber diameter outer ring
d_1	46,9 mm	Shoulder diameter inner ring

Mounting dimensions

$d_{a\min}$	43,2 mm	Minimum diameter shaft shoulder
$D_{a\max}$	58,8 mm	Maximum diameter of housing shoulder
$r_{a\max}$	0,6 mm	Maximum fillet radius

Calculation factors

f_0	15,5	Calculation factor
-------	------	--------------------