



FAG

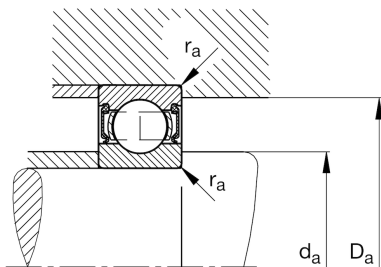
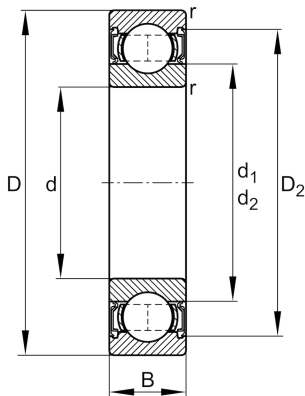
## ★ 6207-2RSR

Deep groove ball bearing

Schaeffler ID:  
0167202100000Deep groove ball bearing 62...-2RSR,  
single row, seals, steel sheet metal cage

★ Preferred product

## Technical information



## Temperature range

$T_{\min}$	-20 °C	Operating temperature min.
$T_{\max}$	110 °C	Operating temperature max.
	0,283 kg	Weight

## Main Dimensions &amp; Performance Data

d	35 mm	Bore diameter
D	72 mm	Outside diameter
B	17 mm	Width
$C_r$	27.500 N	Basic dynamic load rating, radial
$C_{0r}$	15.300 N	Basic static load rating, radial
$C_{ur}$	950 N	Fatigue load limit, radial
$n_G$	5.700 1/min	Limiting speed

## Dimensions

$r_{\min}$	1,1 mm	Minimum chamfer dimension
$D_2$	63,3 mm	Caliber diameter outer ring
$d_1$	47,2 mm	Shoulder diameter inner ring

## Mounting dimensions

$d_{a\min}$	42 mm	Minimum diameter shaft shoulder
$D_{a\max}$	65 mm	Maximum diameter of housing shoulder
$r_{a\max}$	1,1 mm	Maximum fillet radius

## Calculation factors

$f_0$	13,8	Calculation factor
-------	------	--------------------