

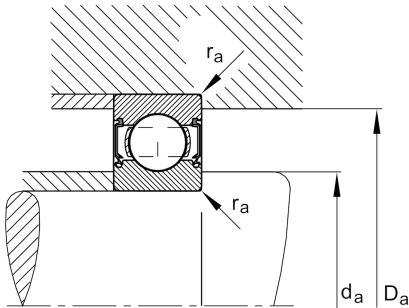
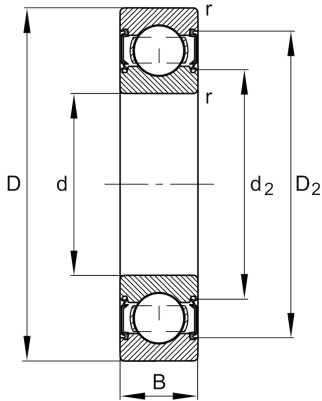
FAG★ **6207-C-2HRS**

Deep groove ball bearing

Schaeffler ID:
0789719260000Deep groove ball bearing 62...-C-2HRS,
single row, Generation C, seals, steel
sheet metal cage

★ Preferred product

Technical information



Temperature range

T_{\min}	-20 °C	Operating temperature min.
T_{\max}	110 °C	Operating temperature max.
	0,27 kg	Weight

Main Dimensions & Performance Data

d	35 mm	Bore diameter
D	72 mm	Outside diameter
B	17 mm	Width
C_r	28.000 N	Basic dynamic load rating, radial
C_{0r}	15.400 N	Basic static load rating, radial
C_{ur}	1.060 N	Fatigue load limit, radial
n_G	8.800 1/min	Limiting speed

Dimensions

r_{\min}	1,1 mm	Minimum chamfer dimension
D_2	64,7 mm	Caliber diameter outer ring
d_2	44,5 mm	Caliber diameter inner ring

Mounting dimensions

$d_{a \min}$	42 mm	Minimum diameter shaft shoulder
$D_{a \max}$	65 mm	Maximum diameter of housing shoulder
$r_{a \max}$	1,1 mm	Maximum fillet radius

Calculation factors

f_0	13,9	Calculation factor
-------	------	--------------------