

FAG

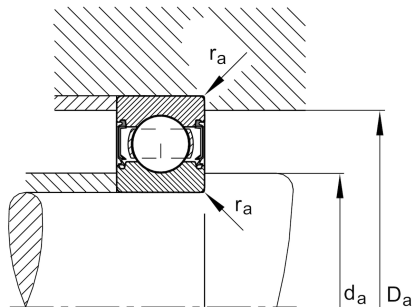
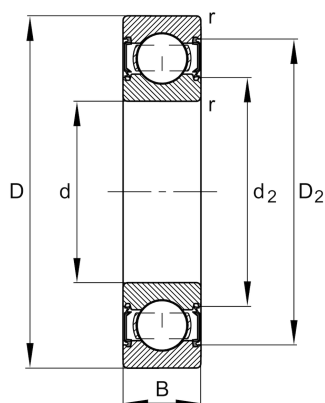
★ 6211-C-2HRS

Deep groove ball bearing

Schaeffler ID:
0820359110000Deep groove ball bearing 62...-C-2HRS,
single row, Generation C, seals, steel
sheet metal cage

★ Preferred product

Technical information



Temperature range

T_{\min}	-20 °C	Operating temperature min.
T_{\max}	110 °C	Operating temperature max.
	0,592 kg	Weight

Main Dimensions & Performance Data

d	55 mm	Bore diameter
D	100 mm	Outside diameter
B	21 mm	Width
C_r	46.500 N	Basic dynamic load rating, radial
C_{0r}	29.000 N	Basic static load rating, radial
C_{ur}	2.030 N	Fatigue load limit, radial
n_G	5.800 1/min	Limiting speed

Dimensions

r_{\min}	1,5 mm	Minimum chamfer dimension
D_2	89,72 mm	Caliber diameter outer ring
d_2	66,69 mm	Caliber diameter inner ring

Mounting dimensions

$d_{a\min}$	64 mm	Minimum diameter shaft shoulder
$D_{a\max}$	91 mm	Maximum diameter of housing shoulder
$r_{a\max}$	1,5 mm	Maximum fillet radius

Calculation factors

f_0	14,2	Calculation factor
-------	------	--------------------