

FAG

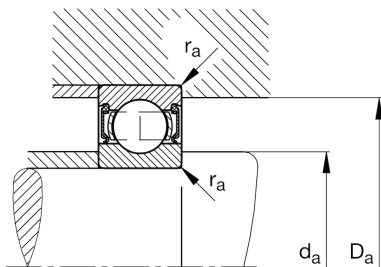
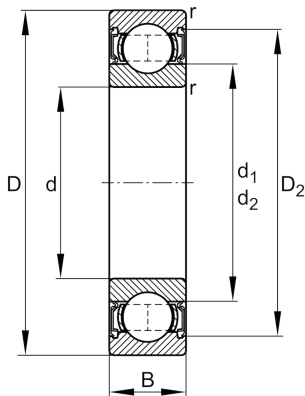
★ 62309-2RSR

Deep groove ball bearing

Schaeffler ID:
0167221590000Deep groove ball bearing 623...-2RSR,
single row, seals, steel sheet metal cage

★ Preferred product

Technical information



Temperature range

| | | |
|------------|---------|----------------------------|
| T_{\min} | -20 °C | Operating temperature min. |
| T_{\max} | 110 °C | Operating temperature max. |
| | 1,19 kg | Weight |

Main Dimensions & Performance Data

| | | |
|----------|-------------|-----------------------------------|
| d | 45 mm | Bore diameter |
| D | 100 mm | Outside diameter |
| B | 36 mm | Width |
| C_r | 56.000 N | Basic dynamic load rating, radial |
| C_{0r} | 31.500 N | Basic static load rating, radial |
| C_{ur} | 2.240 N | Fatigue load limit, radial |
| n_G | 4.300 1/min | Limiting speed |

Dimensions

| | | |
|------------|---------|------------------------------|
| r_{\min} | 1,5 mm | Minimum chamfer dimension |
| D_2 | 85,6 mm | Caliber diameter outer ring |
| d_1 | 62 mm | Shoulder diameter inner ring |

Mounting dimensions

| | | |
|-------------|--------|--------------------------------------|
| $d_{a\min}$ | 54 mm | Minimum diameter shaft shoulder |
| $D_{a\max}$ | 91 mm | Maximum diameter of housing shoulder |
| $r_{a\max}$ | 1,5 mm | Maximum fillet radius |

Calculation factors

| | | |
|-------|------|--------------------|
| f_0 | 12,9 | Calculation factor |
|-------|------|--------------------|