



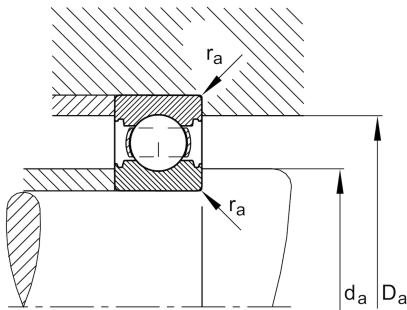
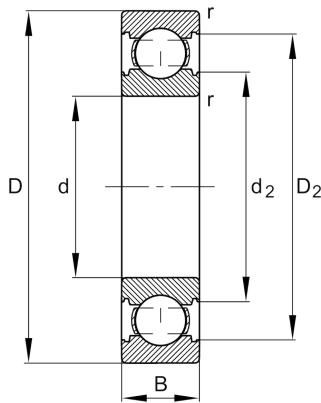
FAG

6307-C

Deep groove ball bearing

Schaeffler ID:
0791680270000Deep groove ball bearing 63...-C, single
row, Generation C, steel sheet metal cage

Technical information

**Temperature range**

T_{\min}	-30 °C	Operating temperature min.
T_{\max}	120 °C	Operating temperature max.
	0,471 kg	Weight

Main Dimensions & Performance Data

d	35 mm	Bore diameter
D	80 mm	Outside diameter
B	21 mm	Width
C_r	37.000 N	Basic dynamic load rating, radial
C_{0r}	19.100 N	Basic static load rating, radial
C_{ur}	1.330 N	Fatigue load limit, radial
n_G	13.600 1/min	Limiting speed
n_{gr}	10.900 1/min	Reference speed

Dimensions

r_{\min}	1,5 mm	Minimum chamfer dimension
D_2	69,8 mm	Caliber diameter outer ring
d_2	46 mm	Caliber diameter inner ring

Mounting dimensions

$d_{a \min}$	44 mm	Minimum diameter shaft shoulder
$D_{a \max}$	71 mm	Maximum diameter of housing shoulder
$r_{a \max}$	1,5 mm	Maximum fillet radius

Calculation factors

f_0	13,1	Calculation factor
-------	------	--------------------