

FAG

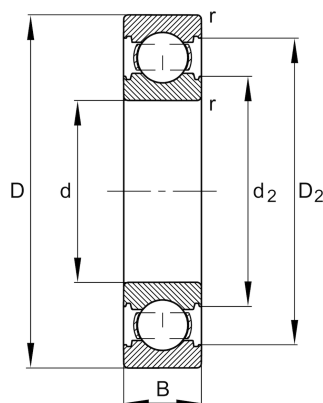
★ 6310-C-M

Deep groove ball bearing

Schaeffler ID:
0890134250000Deep groove ball bearing 63...-C-M, single
row, Generation C, solid brass cage

★ Preferred product

Technical information



Temperature range

T_{\min}	-30 °C	Operating temperature min.
T_{\max}	150 °C	Operating temperature max.
	1,3 kg	Weight

Main Dimensions & Performance Data

d	50 mm	Bore diameter
D	110 mm	Outside diameter
B	27 mm	Width
C_r	68.000 N	Basic dynamic load rating, radial
C_{0r}	38.000 N	Basic static load rating, radial
C_{ur}	2.650 N	Fatigue load limit, radial
n_G	12.300 1/min	Limiting speed
n_{gr}	8.400 1/min	Reference speed

Dimensions

r_{\min}	2 mm	Minimum chamfer dimension
D_2	95,2 mm	Caliber diameter outer ring
d_2	66,7 mm	Caliber diameter inner ring

Mounting dimensions

$d_{a\min}$	61 mm	Minimum diameter shaft shoulder
$D_{a\max}$	99 mm	Maximum diameter of housing shoulder
$r_{a\max}$	2 mm	Maximum fillet radius

Calculation factors

f_0	13,1	Calculation factor
-------	------	--------------------

