



FAG

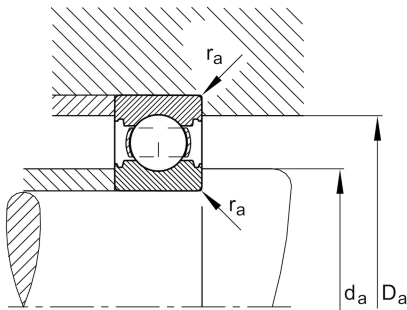
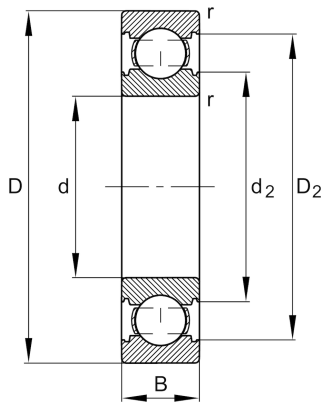
★ 6311-C

Deep groove ball bearing

Schaeffler ID:
0872497310000Deep groove ball bearing 63...-C, single
row, Generation C, steel sheet metal cage

★ Preferred product

Technical information



Temperature range

T_{\min}	-30 °C	Operating temperature min.
T_{\max}	150 °C	Operating temperature max.
	1,297 kg	Weight

Main Dimensions & Performance Data

d	55 mm	Bore diameter
D	120 mm	Outside diameter
B	29 mm	Width
C_r	83.000 N	Basic dynamic load rating, radial
C_{0r}	47.500 N	Basic static load rating, radial
C_{ur}	3.300 N	Fatigue load limit, radial
n_G	8.500 1/min	Limiting speed
n_{gr}	7.800 1/min	Reference speed

Dimensions

r_{\min}	2 mm	Minimum chamfer dimension
D_2	105,3 mm	Caliber diameter outer ring
d_2	72,5 mm	Caliber diameter inner ring

Mounting dimensions

$d_{a\min}$	66 mm	Minimum diameter shaft shoulder
$D_{a\max}$	109 mm	Maximum diameter of housing shoulder
$r_{a\max}$	2 mm	Maximum fillet radius

Calculation factors

f_0	12,9	Calculation factor
-------	------	--------------------