

FAG

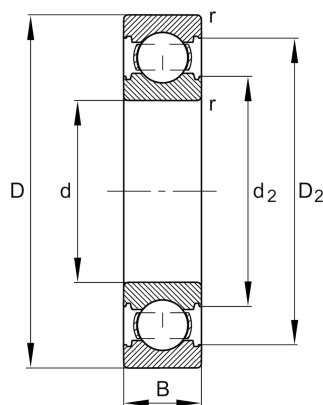
## ★ 6311-C-M

Deep groove ball bearing

Schaeffler ID:  
0890299500000Deep groove ball bearing 63...-C-M, single  
row, Generation C, solid brass cage

★ Preferred product

## Technical information



## Temperature range

$T_{\min}$	-30 °C	Operating temperature min.
$T_{\max}$	150 °C	Operating temperature max.
	1,6 kg	Weight

## Main Dimensions &amp; Performance Data

d	55 mm	Bore diameter
D	120 mm	Outside diameter
B	29 mm	Width
$C_r$	83.000 N	Basic dynamic load rating, radial
$C_{0r}$	47.500 N	Basic static load rating, radial
$C_{ur}$	3.300 N	Fatigue load limit, radial
$n_G$	11.000 1/min	Limiting speed
$n_{gr}$	7.800 1/min	Reference speed

## Dimensions

$r_{\min}$	2 mm	Minimum chamfer dimension
$D_2$	105,3 mm	Caliber diameter outer ring
$d_2$	72,5 mm	Caliber diameter inner ring

## Mounting dimensions

$d_{a\min}$	66 mm	Minimum diameter shaft shoulder
$D_{a\max}$	109 mm	Maximum diameter of housing shoulder
$r_{a\max}$	2 mm	Maximum fillet radius

## Calculation factors

$f_0$	12,9	Calculation factor
-------	------	--------------------

