

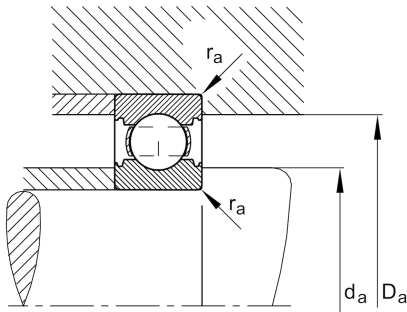
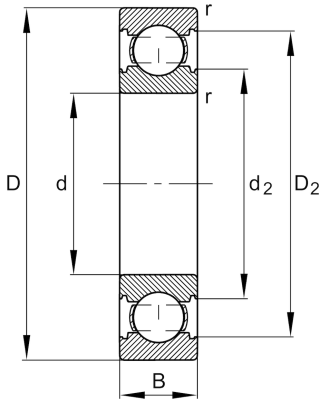
FAG

**6312-C-M**

Deep groove ball bearing

Schaeffler ID:  
0889794580000Deep groove ball bearing 63..-C-M, single  
row, Generation C, solid brass cage

## Technical information

**Temperature range**

$T_{\min}$	-30 °C	Operating temperature min.
$T_{\max}$	150 °C	Operating temperature max.
	1,93 kg	Weight

**Main Dimensions & Performance Data**

d	60 mm	Bore diameter
D	130 mm	Outside diameter
B	31 mm	Width
$C_r$	89.000 N	Basic dynamic load rating, radial
$C_{0r}$	52.000 N	Basic static load rating, radial
$C_{ur}$	3.600 N	Fatigue load limit, radial
$n_G$	10.300 1/min	Limiting speed
$n_{gr}$	7.400 1/min	Reference speed

**Dimensions**

$r_{\min}$	2,1 mm	Minimum chamfer dimension
$D_2$	112,1 mm	Caliber diameter outer ring
$d_2$	79,6 mm	Caliber diameter inner ring

**Mounting dimensions**

$d_{a\min}$	72 mm	Minimum diameter shaft shoulder
$D_{a\max}$	118 mm	Maximum diameter of housing shoulder
$r_{a\max}$	2,1 mm	Maximum fillet radius

**Calculation factors**

$f_0$	13,2	Calculation factor
-------	------	--------------------