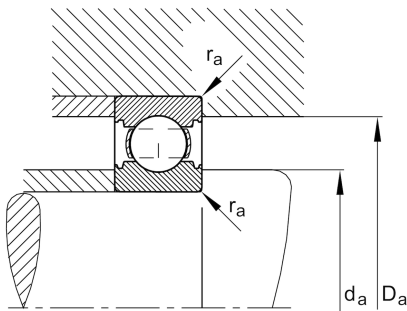
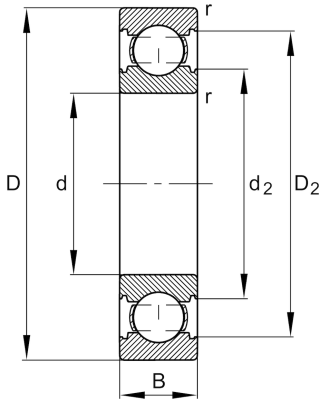
**FAG****6313-C-M**

Deep groove ball bearing

Schaeffler ID:
0890378980000

Deep groove ball bearing 63..-C-M, single row, Generation C, solid brass cage

Technical information

**Temperature range**

T_{\min}	-30 °C	Operating temperature min.
T_{\max}	150 °C	Operating temperature max.
	2,41 kg	Weight

Main Dimensions & Performance Data

d	65 mm	Bore diameter
D	140 mm	Outside diameter
B	33 mm	Width
C_r	101.000 N	Basic dynamic load rating, radial
C_{0r}	60.000 N	Basic static load rating, radial
C_{ur}	4.100 N	Fatigue load limit, radial
n_G	9.500 1/min	Limiting speed
n_{gr}	7.000 1/min	Reference speed

Dimensions

r_{\min}	2,1 mm	Minimum chamfer dimension
D_2	121,4 mm	Caliber diameter outer ring
d_2	85,6 mm	Caliber diameter inner ring

Mounting dimensions

$d_{a\min}$	77 mm	Minimum diameter shaft shoulder
$D_{a\max}$	128 mm	Maximum diameter of housing shoulder
$r_{a\max}$	2,1 mm	Maximum fillet radius

Calculation factors

f_0	13,2	Calculation factor
-------	------	--------------------