



FAG

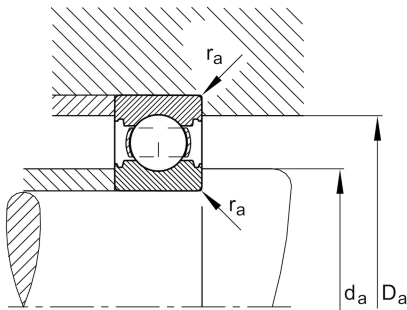
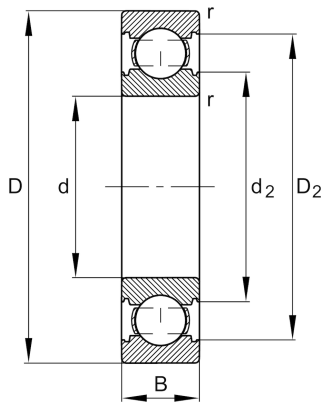
## ★ 6309-C

Deep groove ball bearing

Schaeffler ID:  
0850058860000Deep groove ball bearing 63...-C, single  
row, Generation C, steel sheet metal cage

★ Preferred product

## Technical information



## Temperature range

$T_{\min}$	-30 °C	Operating temperature min.
$T_{\max}$	150 °C	Operating temperature max.
	0,802 kg	Weight

## Main Dimensions &amp; Performance Data

d	45 mm	Bore diameter
D	100 mm	Outside diameter
B	25 mm	Width
$C_r$	58.000 N	Basic dynamic load rating, radial
$C_{0r}$	31.500 N	Basic static load rating, radial
$C_{ur}$	2.200 N	Fatigue load limit, radial
$n_G$	10.500 1/min	Limiting speed
$n_{gr}$	9.100 1/min	Reference speed

## Dimensions

$r_{\min}$	1,5 mm	Minimum chamfer dimension
$D_2$	86,4 mm	Caliber diameter outer ring
$d_2$	60,3 mm	Caliber diameter inner ring

## Mounting dimensions

$d_{a \min}$	54 mm	Minimum diameter shaft shoulder
$D_{a \max}$	91 mm	Maximum diameter of housing shoulder
$r_{a \max}$	1,5 mm	Maximum fillet radius

## Calculation factors

$f_0$	12,9	Calculation factor
-------	------	--------------------