

FAG

★ 6305-C-2HRS

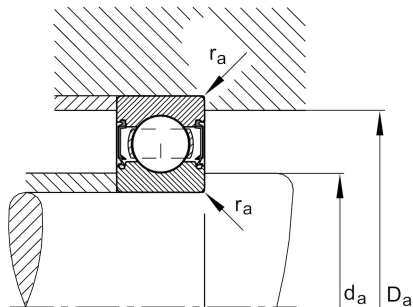
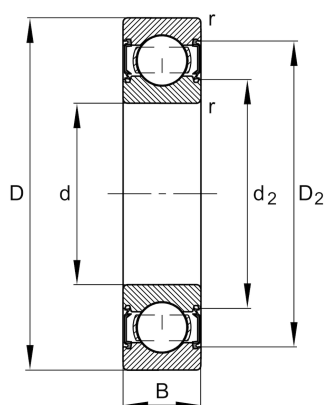
Deep groove ball bearing

Schaeffler ID:
0791006270000

★ Preferred product

Deep groove ball bearing 63...-C-2HRS,
single row, Generation C, seals, steel
sheet metal cage

Technical information



Temperature range

T_{\min}	-20 °C	Operating temperature min.
T_{\max}	110 °C	Operating temperature max.
	0,24 kg	Weight

Main Dimensions & Performance Data

d	25 mm	Bore diameter
D	62 mm	Outside diameter
B	17 mm	Width
C_r	24.700 N	Basic dynamic load rating, radial
C_{0r}	11.500 N	Basic static load rating, radial
C_{ur}	800 N	Fatigue load limit, radial
n_G	11.300 1/min	Limiting speed

Dimensions

r_{\min}	1,1 mm	Minimum chamfer dimension
D_2	54 mm	Caliber diameter outer ring
d_2	34 mm	Caliber diameter inner ring

Mounting dimensions

$d_{a\min}$	32 mm	Minimum diameter shaft shoulder
$D_{a\max}$	55 mm	Maximum diameter of housing shoulder
$r_{a\max}$	1,1 mm	Maximum fillet radius

Calculation factors

f_0	12,4	Calculation factor
-------	------	--------------------