

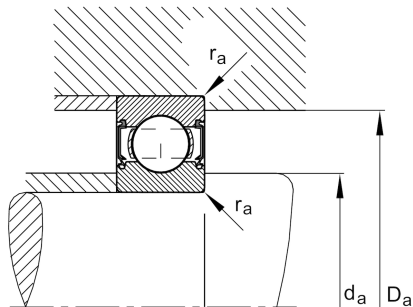
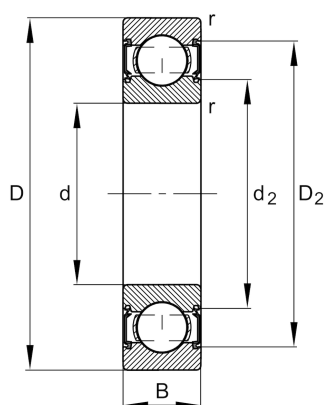
FAG

6303-C-2HRS

Deep groove ball bearing

Schaeffler ID:
0790452860000Deep groove ball bearing 63...-C-2HRS,
single row, Generation C, seals, steel
sheet metal cage

Technical information

**Temperature range**

T_{min}	-20 °C	Operating temperature min.
T_{max}	110 °C	Operating temperature max.
	0,118 kg	Weight

Main Dimensions & Performance Data

d	17 mm	Bore diameter
D	47 mm	Outside diameter
B	14 mm	Width
C_r	15.800 N	Basic dynamic load rating, radial
C_{0r}	6.500 N	Basic static load rating, radial
C_{ur}	450 N	Fatigue load limit, radial
n_G	15.700 1/min	Limiting speed

Dimensions

r_{min}	1 mm	Minimum chamfer dimension
D_2	40,2 mm	Caliber diameter outer ring
d_2	25,9 mm	Caliber diameter inner ring

Mounting dimensions

$d_{a min}$	22,6 mm	Minimum diameter shaft shoulder
$D_{a max}$	41,4 mm	Maximum diameter of housing shoulder
$r_{a max}$	1 mm	Maximum fillet radius

Calculation factors

f_0	12,2	Calculation factor
-------	------	--------------------