

FAG

## ★ 6312-C-2HRS

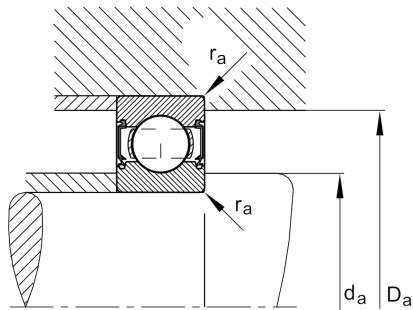
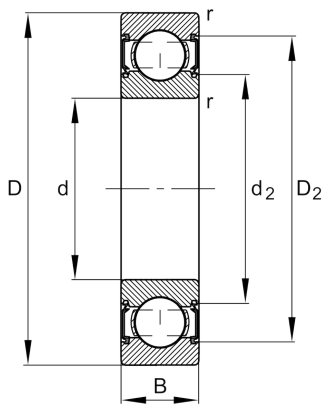
Deep groove ball bearing

Schaeffler ID:  
0816667720000

★ Preferred product

Deep groove ball bearing 63...-C-2HRS,  
single row, Generation C, seals, steel  
sheet metal cage

## Technical information



## Temperature range

$T_{\min}$	-20 °C	Operating temperature min.
$T_{\max}$	110 °C	Operating temperature max.
	1,703 kg	Weight

## Main Dimensions &amp; Performance Data

d	60 mm	Bore diameter
D	130 mm	Outside diameter
B	31 mm	Width
$C_r$	89.000 N	Basic dynamic load rating, radial
$C_{0r}$	52.000 N	Basic static load rating, radial
$C_{ur}$	3.600 N	Fatigue load limit, radial
$n_G$	4.800 1/min	Limiting speed

## Dimensions

$r_{\min}$	2,1 mm	Minimum chamfer dimension
$D_2$	112,1 mm	Caliber diameter outer ring
$d_2$	79,6 mm	Caliber diameter inner ring

## Mounting dimensions

$d_{a\min}$	72 mm	Minimum diameter shaft shoulder
$D_{a\max}$	118 mm	Maximum diameter of housing shoulder
$r_{a\max}$	2,1 mm	Maximum fillet radius

## Calculation factors

$f_0$	13,2	Calculation factor
-------	------	--------------------