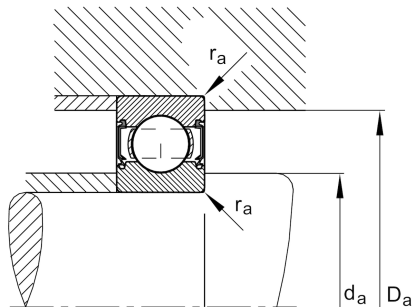
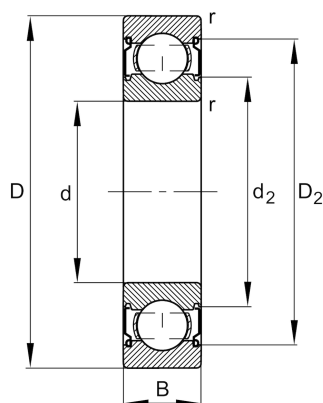
**FAG****6306-C-2Z**

Deep groove ball bearing

Schaeffler ID:  
0639423560000

Deep groove ball bearing 63..-C-2Z, single row, Generation C, shields, steel sheet metal cage

## Technical information

**Temperature range**

$T_{\min}$	-20 °C	Operating temperature min.
$T_{\max}$	120 °C	Operating temperature max.
	0,345 kg	Weight

**Main Dimensions & Performance Data**

d	30 mm	Bore diameter
D	72 mm	Outside diameter
B	19 mm	Width
$C_r$	32.000 N	Basic dynamic load rating, radial
$C_{0r}$	16.200 N	Basic static load rating, radial
$C_{ur}$	1.120 N	Fatigue load limit, radial
$n_G$	12.800 1/min	Limiting speed
$n_{gr}$	11.500 1/min	Reference speed

**Dimensions**

$r_{\min}$	1,1 mm	Minimum chamfer dimension
$D_2$	63,4 mm	Caliber diameter outer ring
$d_2$	41,3 mm	Caliber diameter inner ring

**Mounting dimensions**

$d_{a \min}$	37 mm	Minimum diameter shaft shoulder
$D_{a \max}$	65 mm	Maximum diameter of housing shoulder
$r_{a \max}$	1,1 mm	Maximum fillet radius

**Calculation factors**

$f_0$	13	Calculation factor
-------	----	--------------------