

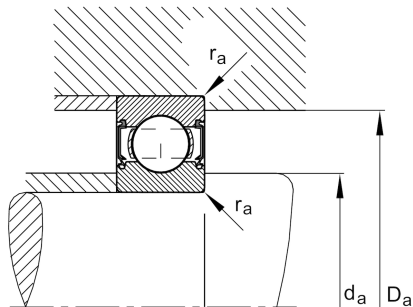
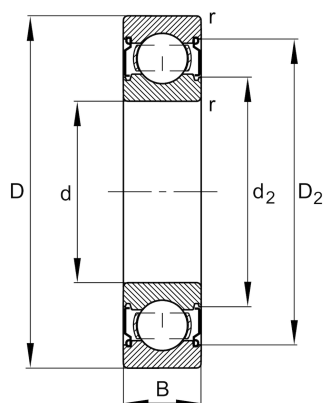
**FAG****6303-C-2Z**

Deep groove ball bearing

Schaeffler ID:  
0639651940000

Deep groove ball bearing 63..-C-2Z, single row, Generation C, shields, steel sheet metal cage

## Technical information

**Temperature range**

$T_{\min}$	-20 °C	Operating temperature min.
$T_{\max}$	120 °C	Operating temperature max.
	0,117 kg	Weight

**Main Dimensions & Performance Data**

d	17 mm	Bore diameter
D	47 mm	Outside diameter
B	14 mm	Width
$C_r$	15.800 N	Basic dynamic load rating, radial
$C_{0r}$	6.500 N	Basic static load rating, radial
$C_{ur}$	450 N	Fatigue load limit, radial
$n_G$	20.800 1/min	Limiting speed
$n_{gr}$	17.400 1/min	Reference speed

**Dimensions**

$r_{\min}$	1 mm	Minimum chamfer dimension
$D_2$	40,2 mm	Caliber diameter outer ring
$d_2$	25,9 mm	Caliber diameter inner ring

**Mounting dimensions**

$d_{a\min}$	22,6 mm	Minimum diameter shaft shoulder
$D_{a\max}$	41,4 mm	Maximum diameter of housing shoulder
$r_{a\max}$	1 mm	Maximum fillet radius

**Calculation factors**

$f_0$	12,2	Calculation factor
-------	------	--------------------