

FAG

★ 6308-C-2Z

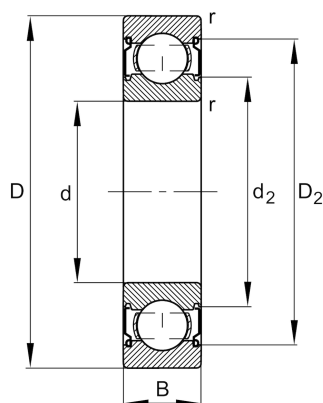
Deep groove ball bearing

Schaeffler ID:
0628206130000

Deep groove ball bearing 63...-C-2Z, single row, Generation C, shields, steel sheet metal cage

★ Preferred product

Technical information



Temperature range

T_{\min}	-20 °C	Operating temperature min.
T_{\max}	120 °C	Operating temperature max.
	0,606 kg	Weight

Main Dimensions & Performance Data

d	40 mm	Bore diameter
D	90 mm	Outside diameter
B	23 mm	Width
C_r	47.000 N	Basic dynamic load rating, radial
C_{0r}	25.000 N	Basic static load rating, radial
C_{ur}	1.740 N	Fatigue load limit, radial
n_G	10.100 1/min	Limiting speed
n_{gr}	9.900 1/min	Reference speed

Dimensions

r_{\min}	1,5 mm	Minimum chamfer dimension
D_2	78,8 mm	Caliber diameter outer ring
d_2	52,1 mm	Caliber diameter inner ring

Mounting dimensions

$d_{a\min}$	49 mm	Minimum diameter shaft shoulder
$D_{a\max}$	81 mm	Maximum diameter of housing shoulder
$r_{a\max}$	1,5 mm	Maximum fillet radius

Calculation factors

f_0	13	Calculation factor
-------	----	--------------------

