



FAG

★ 6311-C-2Z

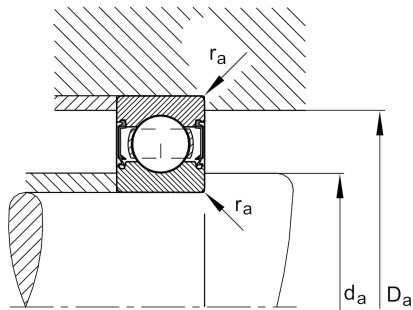
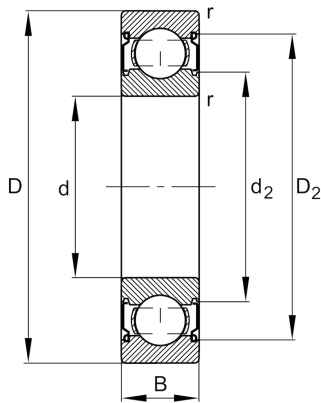
Deep groove ball bearing

Schaeffler ID:
0872497580000

★ Preferred product

Deep groove ball bearing 63...-C-2Z, single row, Generation C, shields, steel sheet metal cage

Technical information



Temperature range

| | | |
|------------|----------|----------------------------|
| T_{\min} | -20 °C | Operating temperature min. |
| T_{\max} | 120 °C | Operating temperature max. |
| | 1,348 kg | Weight |

Main Dimensions & Performance Data

| | | |
|----------|-------------|-----------------------------------|
| d | 55 mm | Bore diameter |
| D | 120 mm | Outside diameter |
| B | 29 mm | Width |
| C_r | 83.000 N | Basic dynamic load rating, radial |
| C_{0r} | 47.500 N | Basic static load rating, radial |
| C_{ur} | 3.300 N | Fatigue load limit, radial |
| n_G | 7.200 1/min | Limiting speed |
| n_{gr} | 7.800 1/min | Reference speed |

Dimensions

| | | |
|------------|----------|-----------------------------|
| r_{\min} | 2 mm | Minimum chamfer dimension |
| D_2 | 105,3 mm | Caliber diameter outer ring |
| d_2 | 72,5 mm | Caliber diameter inner ring |

Mounting dimensions

| | | |
|-------------|--------|--------------------------------------|
| $d_{a\min}$ | 66 mm | Minimum diameter shaft shoulder |
| $D_{a\max}$ | 109 mm | Maximum diameter of housing shoulder |
| $r_{a\max}$ | 2 mm | Maximum fillet radius |

Calculation factors

| | | |
|-------|------|--------------------|
| f_0 | 12,9 | Calculation factor |
|-------|------|--------------------|