



FAG

## ★ 6313-C-2Z

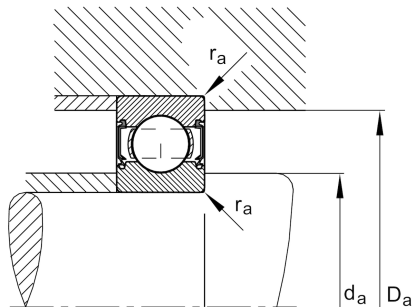
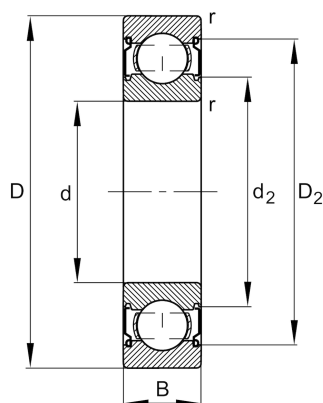
Deep groove ball bearing

Schaeffler ID:  
0875164890000

Deep groove ball bearing 63...-C-2Z, single row, Generation C, shields, steel sheet metal cage

★ Preferred product

## Technical information



## Temperature range

$T_{\min}$	-20 °C	Operating temperature min.
$T_{\max}$	120 °C	Operating temperature max.
	2,075 kg	Weight

## Main Dimensions &amp; Performance Data

d	65 mm	Bore diameter
D	140 mm	Outside diameter
B	33 mm	Width
$C_r$	101.000 N	Basic dynamic load rating, radial
$C_{0r}$	60.000 N	Basic static load rating, radial
$C_{ur}$	4.100 N	Fatigue load limit, radial
$n_G$	6.200 1/min	Limiting speed
$n_{gr}$	7.000 1/min	Reference speed

## Dimensions

$r_{\min}$	2,1 mm	Minimum chamfer dimension
$D_2$	121,4 mm	Caliber diameter outer ring
$d_2$	85,6 mm	Caliber diameter inner ring

## Mounting dimensions

$d_{a \min}$	77 mm	Minimum diameter shaft shoulder
$D_{a \max}$	128 mm	Maximum diameter of housing shoulder
$r_{a \max}$	2,1 mm	Maximum fillet radius

## Calculation factors

$f_0$	13,2	Calculation factor
-------	------	--------------------