

FAG

## ★ QJ215-XL-MPA

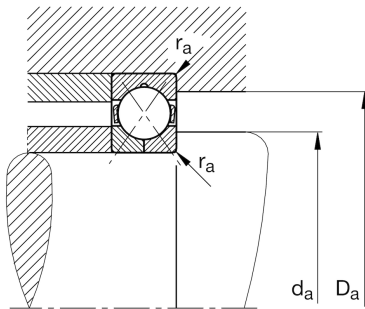
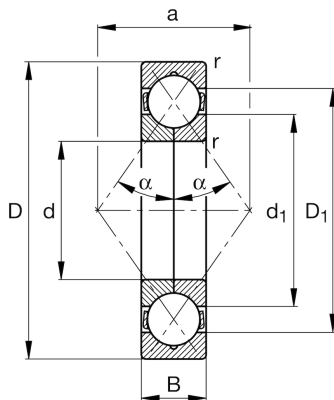
Four-point contact bearing

Schaeffler ID:  
0192608490000Four point contact bearing QJ2..-XL-MPA,  
X-life, solid brass cage

★ Preferred product

X-life

## Technical information



## Temperature range

|           |          |                            |
|-----------|----------|----------------------------|
| $T_{min}$ | -30 °C   | Operating temperature min. |
| $T_{max}$ | 150 °C   | Operating temperature max. |
|           | 1,457 kg | Weight                     |

## Main Dimensions &amp; Performance Data

|          |              |                                   |
|----------|--------------|-----------------------------------|
| d        | 75 mm        | Bore diameter                     |
| D        | 130 mm       | Outside diameter                  |
| B        | 25 mm        | Width                             |
| $C_r$    | 123.000 N    | Basic dynamic load rating, radial |
| $C_{0r}$ | 122.000 N    | Basic static load rating, radial  |
| $C_{ur}$ | 8.800 N      | Fatigue load limit, radial        |
| $n_G$    | 10.200 1/min | Limiting speed                    |
| $n_{gr}$ | 4.550 1/min  | Reference speed                   |

## Dimensions

|           |          |   |
|-----------|----------|---|
| $r_{min}$ | 1,5 mm   | Minimum chamfer dimension                         |
| $D_1$     | 111,5 mm | Shoulder diameter outer ring                      |
| $d_1$     | 93,9 mm  | Shoulder diameter inner ring                      |
| a         | 72 mm    | Distance between the apexes of the pressure cones |
| $\alpha$  | 35 °     | Contact angle                                     |

## Mounting dimensions

|             |        |                                      |
|-------------|--------|--------------------------------------|
| $d_{a min}$ | 84 mm  | Minimum diameter shaft shoulder      |
| $D_{a max}$ | 121 mm | Maximum diameter of housing shoulder |
| $r_{a max}$ | 1,5 mm | Maximum fillet radius                |