

FAG

## ★ QJ217-XL-MPA

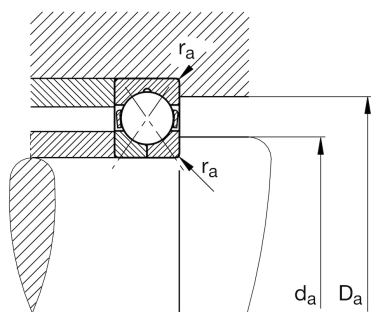
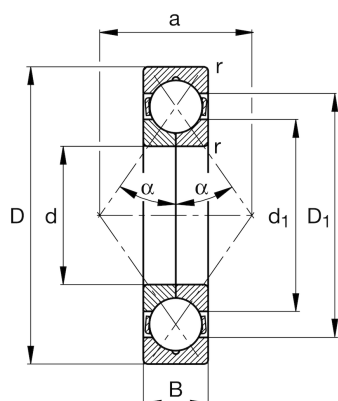
Four-point contact bearing

Schaeffler ID:  
0192609700000Four point contact bearing QJ2..-XL-MPA,  
X-life, solid brass cage

★ Preferred product

X-life

## Technical information



## Temperature range

$T_{min}$	-30 °C	Operating temperature min.
$T_{max}$	150 °C	Operating temperature max.
	2,174 kg	Weight

## Main Dimensions &amp; Performance Data

d	85 mm	Bore diameter
D	150 mm	Outside diameter
B	28 mm	Width
$C_r$	158.000 N	Basic dynamic load rating, radial
$C_{0r}$	160.000 N	Basic static load rating, radial
$C_{ur}$	11.100 N	Fatigue load limit, radial
$n_G$	8.800 1/min	Limiting speed
$n_{gr}$	4.050 1/min	Reference speed

## Dimensions

$r_{min}$	2 mm	Minimum chamfer dimension
$D_1$	128,6 mm	Shoulder diameter outer ring
$d_1$	107,6 mm	Shoulder diameter inner ring
a	82 mm	Distance between the apexes of the pressure cones
$\alpha$	35 °	Contact angle

## Mounting dimensions

$d_{a min}$	96 mm	Minimum diameter shaft shoulder
$D_{a max}$	139 mm	Maximum diameter of housing shoulder
$r_{a max}$	2 mm	Maximum fillet radius