

FAG

★ QJ218-XL-N2-MPA

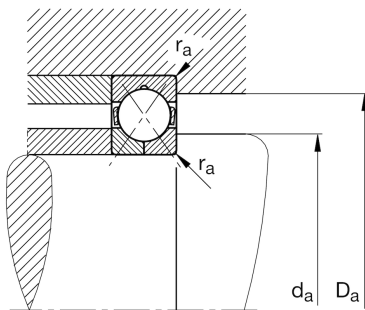
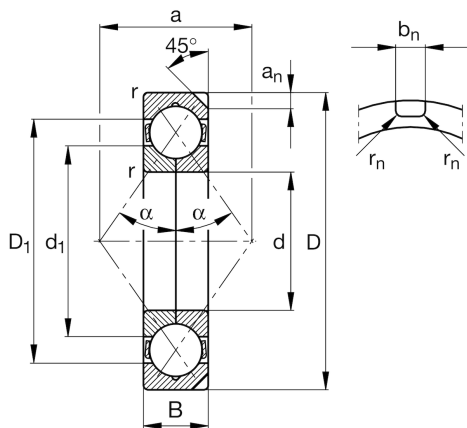
Four-point contact bearing

Schaeffler ID:
0192610120000Four point contact bearing QJ2..-XL-N2-
MPA, X-life, holding grooves, solid brass
cage

★ Preferred product

X-life

Technical information



Temperature range

T_{min}	-30 °C	Operating temperature min.
T_{max}	150 °C	Operating temperature max.
	2,726 kg	Weight

Main Dimensions & Performance Data

d	90 mm	Bore diameter
D	160 mm	Outside diameter
B	30 mm	Width
C_r	181.000 N	Basic dynamic load rating, radial
C_{0r}	185.000 N	Basic static load rating, radial
C_{ur}	12.100 N	Fatigue load limit, radial
n_G	8.200 1/min	Limiting speed
n_{gr}	3.850 1/min	Reference speed

Dimensions

r_{min}	2 mm	Minimum chamfer dimension
D_1	136,1 mm	Shoulder diameter outer ring
d_1	114,3 mm	Shoulder diameter inner ring
a	88 mm	Distance between the apexes of the pressure cones
a_n	8,1 mm	Height retaining slot
b_n	6,5 mm	Width retaining slot
r_n	1 mm	Radius retaining slot
	45 °	Angle retaining slot
α	35 °	Contact angle

Mounting dimensions

$d_{a min}$	101 mm	Minimum diameter shaft shoulder
$D_{a max}$	149 mm	Maximum diameter of housing shoulder
$r_{a max}$	2 mm	Maximum fillet radius