

FAG

## ★ QJ309-XL-MPA

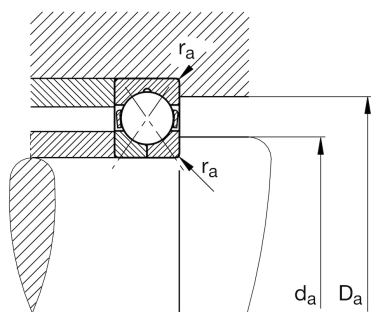
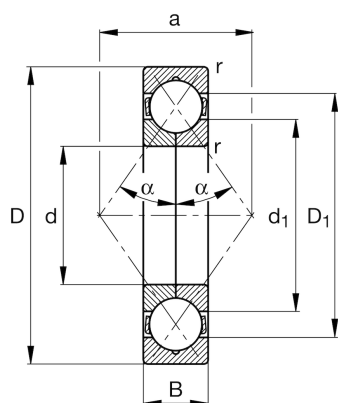
Four-point contact bearing

Schaeffler ID:  
0167425160000Four point contact bearing QJ3..-XL-MPA,  
X-life, solid brass cage

★ Preferred product

X-life

## Technical information



## Temperature range

|           |        |                            |
|-----------|--------|----------------------------|
| $T_{min}$ | -30 °C | Operating temperature min. |
| $T_{max}$ | 150 °C | Operating temperature max. |
|           | 1 kg   | Weight                     |

## Main Dimensions &amp; Performance Data

|          |              |                                   |
|----------|--------------|-----------------------------------|
| d        | 45 mm        | Bore diameter                     |
| D        | 100 mm       | Outside diameter                  |
| B        | 25 mm        | Width                             |
| $C_r$    | 100.000 N    | Basic dynamic load rating, radial |
| $C_{0r}$ | 75.000 N     | Basic static load rating, radial  |
| $C_{ur}$ | 5.700 N      | Fatigue load limit, radial        |
| $n_G$    | 13.700 1/min | Limiting speed                    |
| $n_{gr}$ | 5.900 1/min  | Reference speed                   |

## Dimensions

|           |         |   |
|-----------|---------|---|
| $r_{min}$ | 1,5 mm  | Minimum chamfer dimension                         |
| $D_1$     | 81,7 mm | Shoulder diameter outer ring                      |
| $d_1$     | 63,4 mm | Shoulder diameter inner ring                      |
| a         | 51 mm   | Distance between the apexes of the pressure cones |
| $\alpha$  | 35 °    | Contact angle                                     |

## Mounting dimensions

|             |        |                                      |
|-------------|--------|--------------------------------------|
| $d_{a min}$ | 54 mm  | Minimum diameter shaft shoulder      |
| $D_{a max}$ | 91 mm  | Maximum diameter of housing shoulder |
| $r_{a max}$ | 1,5 mm | Maximum fillet radius                |