

FAG

★ QJ311-XL-MPA

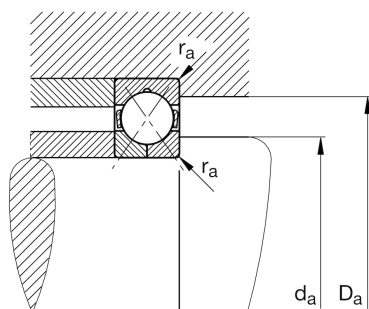
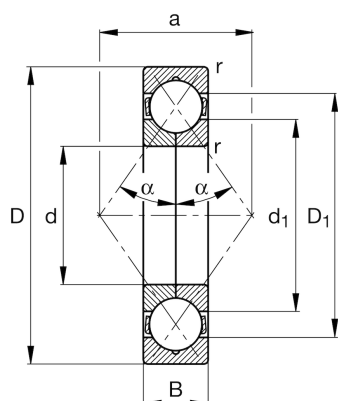
Four-point contact bearing

Schaeffler ID:
0167425590000Four point contact bearing QJ3..-XL-MPA,
X-life, solid brass cage

★ Preferred product

X-life

Technical information



Temperature range

T_{min}	-30 °C	Operating temperature min.
T_{max}	150 °C	Operating temperature max.
	1,685 kg	Weight

Main Dimensions & Performance Data

d	55 mm	Bore diameter
D	120 mm	Outside diameter
B	29 mm	Width
C_r	133.000 N	Basic dynamic load rating, radial
C_{0r}	108.000 N	Basic static load rating, radial
C_{ur}	8.100 N	Fatigue load limit, radial
n_G	11.400 1/min	Limiting speed
n_{gr}	5.000 1/min	Reference speed

Dimensions

r_{min}	2 mm	Minimum chamfer dimension
D_1	97,8 mm	Shoulder diameter outer ring
d_1	77,2 mm	Shoulder diameter inner ring
a	61 mm	Distance between the apexes of the pressure cones
α	35 °	Contact angle

Mounting dimensions

$d_{a min}$	66 mm	Minimum diameter shaft shoulder
$D_{a max}$	109 mm	Maximum diameter of housing shoulder
$r_{a max}$	2 mm	Maximum fillet radius