

FAG

## ★ QJ313-XL-MPA

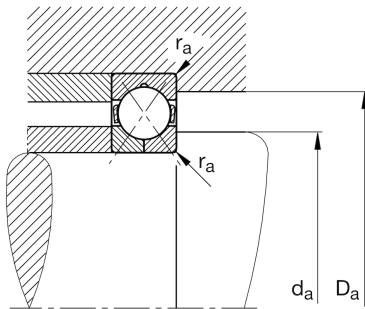
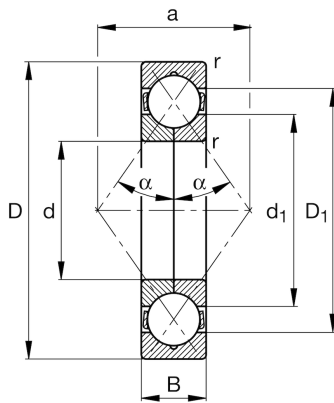
Four-point contact bearing

Schaeffler ID:  
0167425750000Four point contact bearing QJ3..-XL-MPA,  
X-life, solid brass cage

★ Preferred product

X-life

## Technical information



## Temperature range

$T_{min}$	-30 °C	Operating temperature min.
$T_{max}$	150 °C	Operating temperature max.
	2,59 kg	Weight

## Main Dimensions &amp; Performance Data

d	65 mm	Bore diameter
D	140 mm	Outside diameter
B	33 mm	Width
$C_r$	171.000 N	Basic dynamic load rating, radial
$C_{0r}$	145.000 N	Basic static load rating, radial
$C_{ur}$	10.800 N	Fatigue load limit, radial
$n_G$	9.600 1/min	Limiting speed
$n_{gr}$	4.450 1/min	Reference speed

## Dimensions

$r_{min}$	2,1 mm	Minimum chamfer dimension
$D_1$	114,4 mm	Shoulder diameter outer ring
$d_1$	91 mm	Shoulder diameter inner ring
a	72 mm	Distance between the apexes of the pressure cones
$\alpha$	35 °	Contact angle

## Mounting dimensions

$d_{a min}$	77 mm	Minimum diameter shaft shoulder
$D_{a max}$	128 mm	Maximum diameter of housing shoulder
$r_{a max}$	2,1 mm	Maximum fillet radius