

FAG

★ QJ315-XL-N2-MPA

Four-point contact bearing

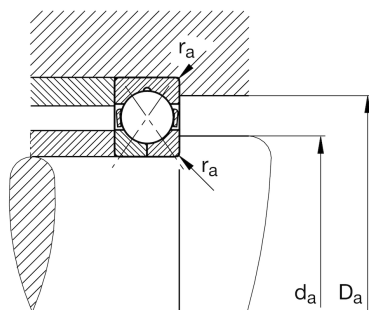
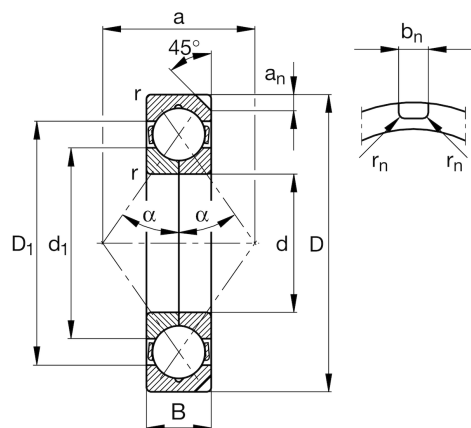
Schaeffler ID:
0167426050000

Four point contact bearing QJ3.-XL-N2-MPA, X-life, holding grooves, solid brass cage

★ Preferred product

X-life

Technical information



Temperature range

T_{min}	-30 °C	Operating temperature min.
T_{max}	150 °C	Operating temperature max.
	3,8 kg	Weight

Main Dimensions & Performance Data

d	75 mm	Bore diameter
D	160 mm	Outside diameter
B	37 mm	Width
C_r	229.000 N	Basic dynamic load rating, radial
C_{0r}	204.000 N	Basic static load rating, radial
C_{ur}	14.400 N	Fatigue load limit, radial
n_G	8.300 1/min	Limiting speed
n_{gr}	3.900 1/min	Reference speed

Dimensions

r_{min}	2,1 mm	Minimum chamfer dimension
D_1	131 mm	Shoulder diameter outer ring
d_1	104,4 mm	Shoulder diameter inner ring
a	82 mm	Distance between the apexes of the pressure cones
a_n	10,1 mm	Height retaining slot
b_n	8,5 mm	Width retaining slot
r_n	2 mm	Radius retaining slot
	45 °	Angle retaining slot
α	35 °	Contact angle

Mounting dimensions

$d_{a min}$	87 mm	Minimum diameter shaft shoulder
$D_{a max}$	148 mm	Maximum diameter of housing shoulder
$r_{a max}$	2,1 mm	Maximum fillet radius