

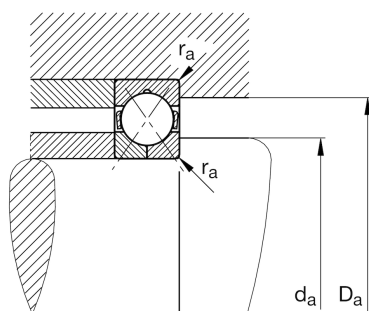
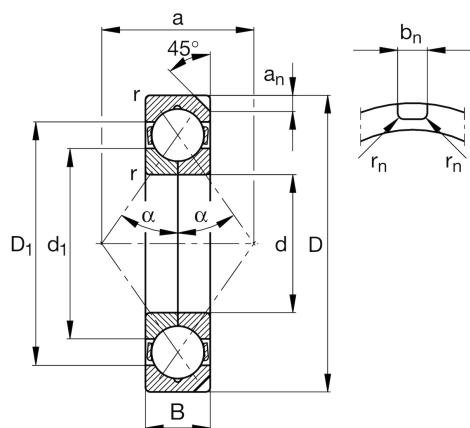
FAG

## QJ316-N2-MPA

Four-point contact bearing

Schaeffler ID:  
0167426130000Four point contact bearing QJ3..-N2-MPA,  
holding grooves, solid brass cage

## Technical information



## Main Dimensions &amp; Performance Data

d	80 mm	Bore diameter
D	170 mm	Outside diameter
B	39 mm	Width
C <sub>r</sub>	226.000 N	Basic dynamic load rating, radial
C <sub>0r</sub>	220.000 N	Basic static load rating, radial
C <sub>ur</sub>	11.100 N	Fatigue load limit, radial
n <sub>G</sub>	7.000 1/min	Limiting speed
n <sub>gr</sub>	3.750 1/min	Reference speed
	4,463 kg	Weight

## Dimensions

r <sub>min</sub>	2,1 mm	Minimum chamfer dimension
D <sub>1</sub>	140,8 mm	Shoulder diameter outer ring
d <sub>1</sub>	110,7 mm	Shoulder diameter inner ring
a	88 mm	Distance between the apexes of the pressure cones
a <sub>n</sub>	10,1 mm	Height retaining slot
b <sub>n</sub>	8,5 mm	Width retaining slot
r <sub>n</sub>	2 mm	Radius retaining slot
	45 °	Angle retaining slot
α	35 °	Contact angle

## Mounting dimensions

d <sub>a min</sub>	92 mm	Minimum diameter shaft shoulder
D <sub>a max</sub>	158 mm	Maximum diameter of housing shoulder
r <sub>a max</sub>	2,1 mm	Maximum fillet radius

## Temperature range

T <sub>min</sub>	-30 °C	Operating temperature min.
T <sub>max</sub>	150 °C	Operating temperature max.