

FAG

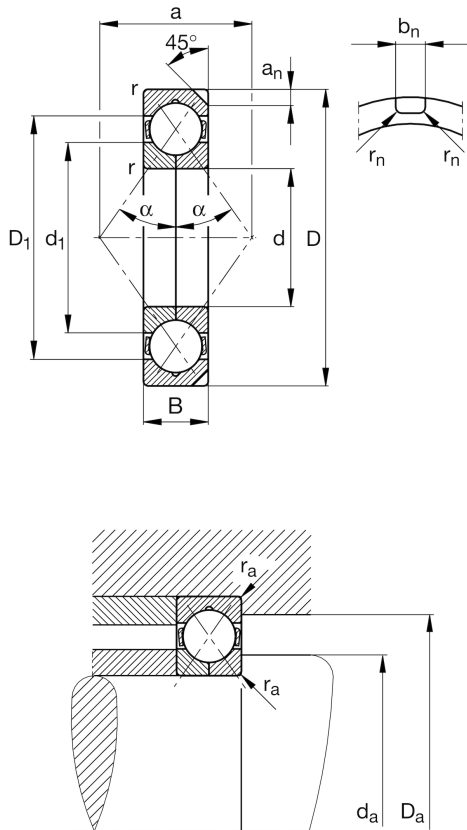
★ QJ318-N2-MPA

Four-point contact bearing

Schaeffler ID:
0167426210000Four point contact bearing QJ3..-N2-MPA,
holding grooves, solid brass cage

★ Preferred product

Technical information



Temperature range

T_{min}	-30 °C	Operating temperature min.
T_{max}	150 °C	Operating temperature max.
	6,18 kg	Weight

Main Dimensions & Performance Data

d	90 mm	Bore diameter
D	190 mm	Outside diameter
B	43 mm	Width
C_r	265.000 N	Basic dynamic load rating, radial
C_{0r}	285.000 N	Basic static load rating, radial
C_{ur}	13.300 N	Fatigue load limit, radial
n_G	6.300 1/min	Limiting speed
n_{gr}	3.350 1/min	Reference speed

Dimensions

r_{min}	3 mm	Minimum chamfer dimension
D_1	157,1 mm	Shoulder diameter outer ring
d_1	124,5 mm	Shoulder diameter inner ring
a	98 mm	Distance between the apexes of the pressure cones
a_n	11,7 mm	Height retaining slot
b_n	10,5 mm	Width retaining slot
r_n	2 mm	Radius retaining slot
	45 °	Angle retaining slot
α	35 °	Contact angle

Mounting dimensions

$d_{a min}$	104 mm	Minimum diameter shaft shoulder
$D_{a max}$	176 mm	Maximum diameter of housing shoulder
$r_{a max}$	2,5 mm	Maximum fillet radius