

FAG

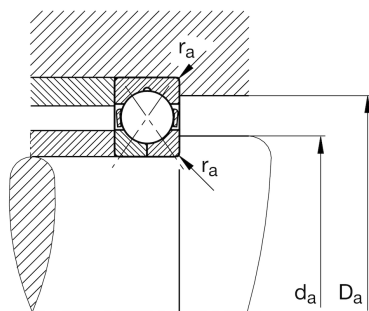
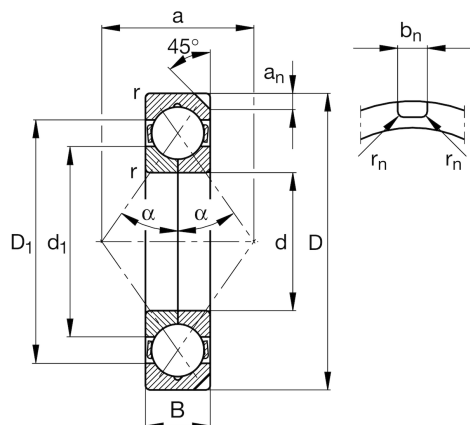
## ★ QJ320-N2-MPA

## Four-point contact bearing

Schaeffler ID:  
0167426480000Four point contact bearing QJ3..-N2-MPA,  
holding grooves, solid brass cage

★ Preferred product

## Technical information



## Temperature range

$T_{\min}$	-30 °C	Operating temperature min.
$T_{\max}$	150 °C	Operating temperature max.
	8,7 kg	Weight

## Main Dimensions &amp; Performance Data

d	100 mm	Bore diameter
D	215 mm	Outside diameter
B	47 mm	Width
$C_r$	325.000 N	Basic dynamic load rating, radial
$C_{0r}$	365.000 N	Basic static load rating, radial
$C_{ur}$	16.800 N	Fatigue load limit, radial
$n_G$	5.400 1/min	Limiting speed
$n_{gr}$	3.000 1/min	Reference speed

## Dimensions

$r_{\min}$	3 mm	Minimum chamfer dimension
$D_1$	176,6 mm	Shoulder diameter outer ring
$d_1$	139 mm	Shoulder diameter inner ring
a	110 mm	Distance between the apexes of the pressure cones
$a_n$	11,7 mm	Height retaining slot
$b_n$	10,5 mm	Width retaining slot
$r_n$	2 mm	Radius retaining slot
	45 °	Angle retaining slot
$\alpha$	35 °	Contact angle

## Mounting dimensions

$d_{a \min}$	114 mm	Minimum diameter shaft shoulder
$D_{a \max}$	201 mm	Maximum diameter of housing shoulder
$r_{a \max}$	2,5 mm	Maximum fillet radius