

FAG

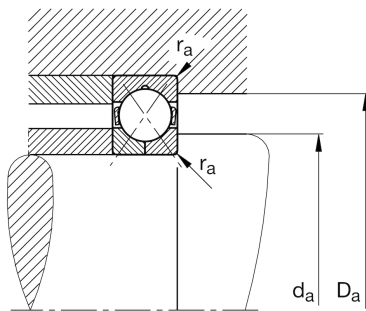
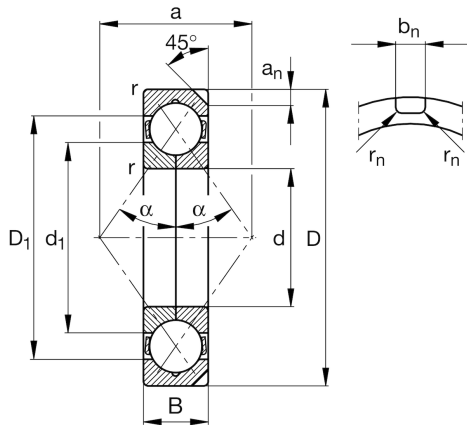
★ QJ326-N2-MPA

Four-point contact bearing

Schaeffler ID:
0192625070000Four point contact bearing QJ3..-N2-MPA,
holding grooves, solid brass cage

★ Preferred product

Technical information



Temperature range

T_{\min}	-30 °C	Operating temperature min.
T_{\max}	200 °C	Operating temperature max.
	19,2 kg	Weight

Main Dimensions & Performance Data

d	130 mm	Bore diameter
D	280 mm	Outside diameter
B	58 mm	Width
C_r	425.000 N	Basic dynamic load rating, radial
C_{0r}	570.000 N	Basic static load rating, radial
C_{ur}	22.200 N	Fatigue load limit, radial
n_G	4.200 1/min	Limiting speed
n_{gr}	2.220 1/min	Reference speed

Dimensions

r_{\min}	4 mm	Minimum chamfer dimension
D_1	228 mm	Shoulder diameter outer ring
d_1	184,1 mm	Shoulder diameter inner ring
a	144 mm	Distance between the apices of the pressure cones
a_n	12,7 mm	Height retaining slot
b_n	10,5 mm	Width retaining slot
r_n	2 mm	Radius retaining slot
	45 °	Angle retaining slot
α	35 °	Contact angle

Mounting dimensions

$d_{a\min}$	147 mm	Minimum diameter shaft shoulder
$D_{a\max}$	263 mm	Maximum diameter of housing shoulder
$r_{a\max}$	3 mm	Maximum fillet radius