

FAG

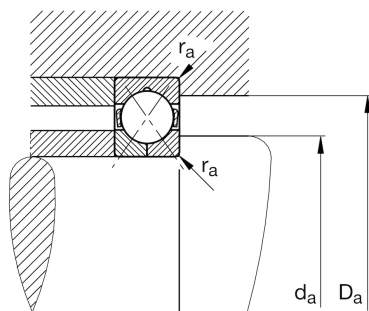
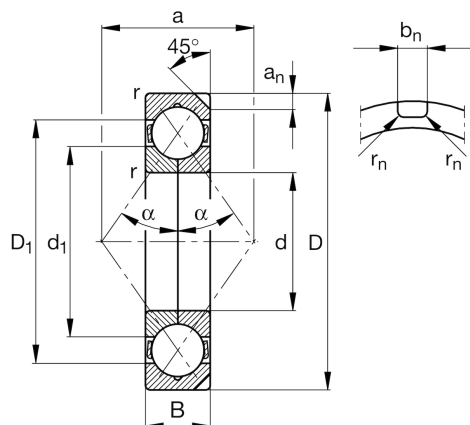
★ QJ334-N2-MPA

Four-point contact bearing

Schaeffler ID:
0192625900000Four point contact bearing QJ3..-N2-MPA,
holding grooves, solid brass cage

★ Preferred product

Technical information



Temperature range

T_{\min}	-30 °C	Operating temperature min.
T_{\max}	200 °C	Operating temperature max.
	38,4 kg	Weight

Main Dimensions & Performance Data

d	170 mm	Bore diameter
D	360 mm	Outside diameter
B	72 mm	Width
C_r	590.000 N	Basic dynamic load rating, radial
C_{0r}	920.000 N	Basic static load rating, radial
C_{ur}	32.500 N	Fatigue load limit, radial
n_G	3.200 1/min	Limiting speed
n_{gr}	1.590 1/min	Reference speed

Dimensions

r_{\min}	4 mm	Minimum chamfer dimension
D_1	292 mm	Shoulder diameter outer ring
d_1	238 mm	Shoulder diameter inner ring
a	186 mm	Distance between the apices of the pressure cones
a_n	12,7 mm	Height retaining slot
b_n	10,5 mm	Width retaining slot
r_n	2 mm	Radius retaining slot
	45 °	Angle retaining slot
α	35 °	Contact angle

Mounting dimensions

$d_{a \min}$	187 mm	Minimum diameter shaft shoulder
$D_{a \max}$	343 mm	Maximum diameter of housing shoulder
$r_{a \max}$	3 mm	Maximum fillet radius